



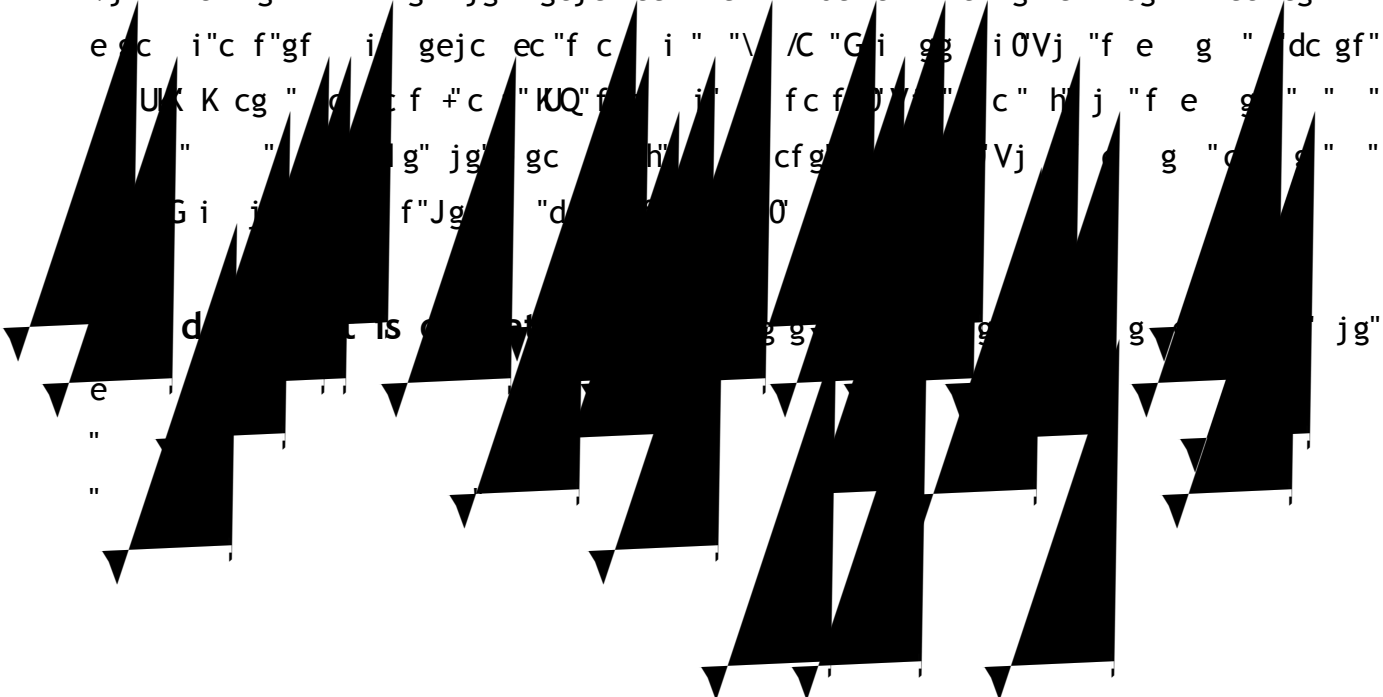
# Mechanical Drawing Principles

## Work Procedure W009

### Revision 10, March 9, 2014

#### General:

Vj "f e g " fg " jg" gejc ec "f c i"dc e" e g "c f"dg " ce eg"h "  
esc i"c f"gf i gejc ec "f c i " "\ /C "Gi gg i 0Vj "f e g " dc gf"  
UK K cg " d t f #c "KUQ" f i" f c f 0Y " c" h j "f e g " " "  
" " "g" jg' gc "h" cfg " Vj g "c c" "  
G i j f"Jg "d 0



Revision	Description	Edited	Approved	Date
	Q g c " f hec "	Eti Ben Simhon	Ofer Rotem	14.2.13
10	E c g "76."3204035." 33" g g" f hgf"	Eti Ben Simhon	Ofer Rotem	9.3.14



"

## Contents

1. Drawing format
2. Projection views method.
3. Projections order on the drawing sheet
4. Drawing Scale
5. Line types
6. Section views
7. Common Section Views
8. Auxiliary View And Detail View
9. Thread Marking
10. Dimensioning
11. Drawings of parts with fasteners
12. Welds drawings
13. Assembly drawing
14. Revision table (ECO)
15. Dimensioning methods
16. Dimension tolerances
17. Geometric tolerances
18. Surface finish
19. Weld symbols
20. Drawing configuration check-list

"

"

"

"

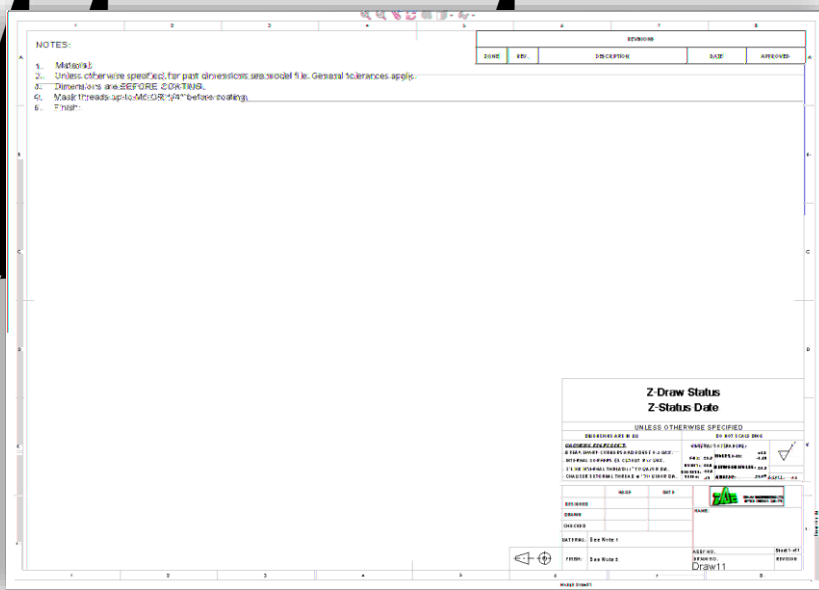
# 1. Drawing format

C "\ /C "f c i " "dg" cfg" "C5" jgg " g" h c ." g " jg g" "c" f h g g " g g g "h " j" e g ØY jg " jg g" "c" ggf" h "c" / g " f c i." cff c "C5" gg "c "dg" cff gf Ø

30. /C "c " h i" f c i" g g ." gcej" g" geh "c" h g " c eg "

Part name	Description (manufacture)
Hc " "Ujgg " c g " "Ugg " h "c" .n	"gg Ø
"Oce i" "U "cej i" g c "c f" c	
C5 "R "Ujgg 3	Rc e" ge " f i"
C5 "Ujgg Øg c " "Ujgg 3	Hc " "dg f" c g "e " jgg " g c ""
C5 "Y g f i" "Ujgg 3	Y g f i" c g d g "
C5 "Y i" "Ujgg 3"	Y i"
C5 "C g d " "Ujgg 3	Ogej c ec "c g d g "
C5 "Ujgg 4"	4 f" jgg " h" f c i" h "c" h c #

V ec "\ /C " jgg "h c "g c g" "h gf "



3040Vjg g" c g" j gg"U fY "h g" h c " "\ /C " "
Rc ."C g d "c f" jg" F c i" h c " f egf" " c ci c j" 3030

305E " g
C " jg" f c i c " "c " f g e "g e0" "dg" g gf" c "
E "R " "odel" " Oc g c" ("H j "Vjg g" c g"
cffgf" " j
D j" Rc " f g d ;h g" "B" E
"dg" h g."g c
\ /c "f g c fg " c "
g cdg c h
" c fg " i " " "
"R g fg "h
jg "R " f c jg fg " g . jg"
fg" e jg
g g "hg f . f" gf " h "
jg 0
H "g" e g g g jg " g "
h g "C g d g

	Property Name	Type	Value / Text Expression	Evaluated Value
1	Designed_Name	Text	XX-ZA	XX-ZA
2	Checked_Name	Text	XX-ZA	XX-ZA
3	Drawn_Name	Text	XX-ZA	XX-ZA
4	Description	Text		
5	Revision	Text	0	0
6	Designed_Date	Date	14/01/2013	14/01/2013
7	Drawn_Date	Date	14/01/2013	14/01/2013
8	Checked_Date	Date	14/01/2013	14/01/2013
9	Machine_Level	Text		
10	Mass	Text	"SW-Mass@Qylur Part.sldprt"	0.00
11	Material	Text	"SW-Material@Qylur Part.sldprt"	Material <not specified>
12	Finish	Text		
13	Z-Technology	Text	Sheetmetal Machining Welding	Sheetmetal Machining Welding
14	Z-Finish Type	Text	Coating Painting	Coating Painting
15	Z-Critical Part	Text	Yes No	Yes No
16	Z-Part Status	Text	Make Buy	Make Buy
17	Vendor Name	Text		
18	Vendor PartNo	Text		
19	PartNo	Text	\$PRP:"SW-File Name"	Qylur Part
20	Project Name	Text		
21	IsFastener	Text	0 1	0 1

Ocej g/Ng g " "N g"; "

U hceg" h j" g0H "g c g "P90H "Ujgg "Og c " j" g " j f"dg" gh"

dc

"

g"38 "

Y jg " jg" c " c" ejc gf" c ." gg " jg" D c g0Y jg " "h " jg"

g"GRFO" h c g." " jg" g g g" h " D " c "

g"Y jg " " g" jg" E "R g," D f " h c g." "

f " "h i" g g "

Property Name	Type	Value / Text Expression	Evaluated Value
Description	Text		
Mass	Text	"SW-Mass@Part1.sldprt"	0.00
Material	Text	"SW-Material@Part1.sldprt"	Material <not specified>
Z-Part Status	Text	Buy	Buy
Vendor Name	Text		
PartNo	Text	\$PRP:"SW-File Name"	Part1
Vendor PartNo	Text		
IsFastener	Text	0 1	0 1

KHc g g " "N g"43 "

Y jg " jg" c " "c"hc g g ." gg " jg" g " c g" 3 0

Y jg " jg" c " "c "Qh/ jg/Ujg h" c " "c" c hce gf" c ." gg " jg" g "

c g" 2 0

"

Pc g "c " "h c "

Pc g " " " c g." ceg."h " g g " h" jg"hc " c g."f ." ^CG0H "

g c g " "T0 "\CG'

Fc g "ff" , 0H "g c e 3; 12: 14233"

"

Fg e c "

Ec d " "c " jg" g g e i 0

"

"

"

Oc g c "c f" H j "fg c "

K" jg" g"d e g " f ge" " jg" P g "c gc "

- O GTCN " P g"3
- U "Ug g"7"

Y g g" c g n j" " jg" c ." g" P g " gcf 0

"

v g i n j n i"e " g g "

	Property Name	Type	Value / Text	Evaluated Value
1	Z-Draw Status	Text	Z-Draw Status	Z-Draw Status
2	Z-Status Date	Text	Z-Status Date	Z-Status Date
3				

D j" g g ug c , ec n jg" a GRFO" " jg" f c i"

c g 0

\F c uc " g" n j g" ag c c' c

- C gf" h "S
- C gf" "P R f
- C g " "

\U c "F jg v " c "

"

"



"

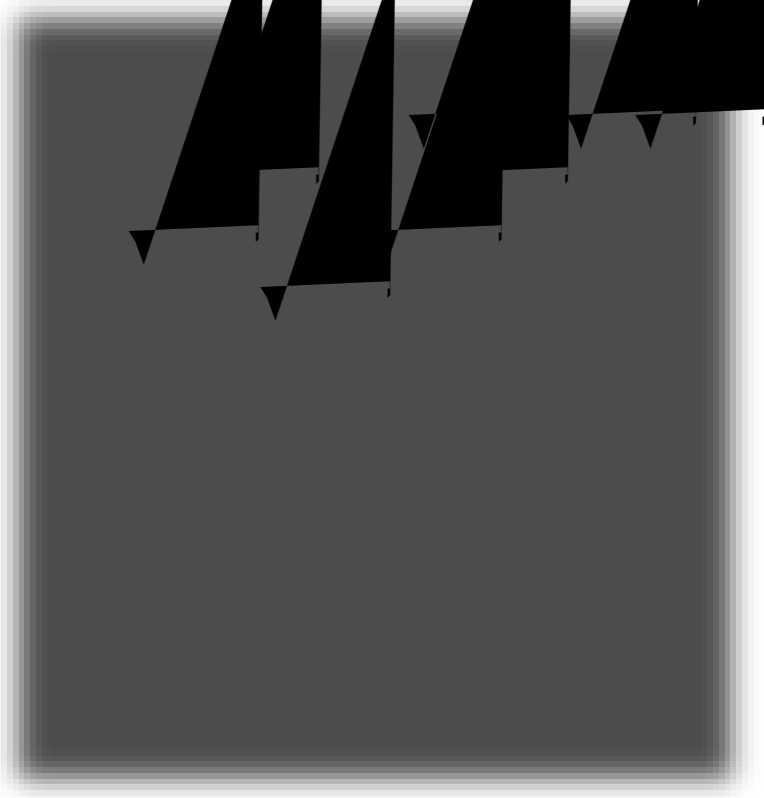
## 2. Projection views method.

Vjg g" c g" " c " "e gc g" f c i" ge " g "

• G gc "KQ" "H " c i g" R ge "

• WJ'CPUK "Vj f" " i g" R ge "

K" jg" g " g ej" g g" "c" e c g c g c g g " jg" h " c g "



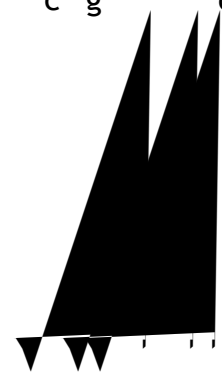
"

"

K" jg" g " g ej." jg" ge " h" jg" 3 " c f" 5 f" c g " " dg "

"

"



Y 22; " "Ogejc ec "F c i"R e g "



Cff c"g c c "h " jg" g " ge " "i g " " jg" g " g ej0Q " jg"  
ij " fg" jg g " " g"G gc " ge .c f" " jg" gh " jg"WU ge 0

Dgg "K jc "82; 27."k cg "  
Vg 0"; 94/5/; 2: 7772"  
Hc 0; 94/5/; 554372"

/E hfg g"/

[www.zivaveng.com](http://www.zivaveng.com)  
[engineering@zivaveng.com](mailto:engineering@zivaveng.com)

Rci g"; " h'83"

V223a 3" "\ , C " /G i , j"





#### 4. Drawing Scale

6030J c f c f "Uec g" "

Y jg g g " dg." jg" f c i" j f" g g " jg" c " " g" ec g" ec g" 3 3+."

jg g" c c f" ec g" " dg" g ge gf" h " jg" cd g dg "

Uec g"

Uec g"

4"

4 3"

4"

7 3"

7"

3"

5, 32"

Ki' jg g" "c" ggf" h "c" c ig" " c g" ec g." g" jg" cd g" ec g" j" c" hce "

h' g 0

6040Uec g" f c i "

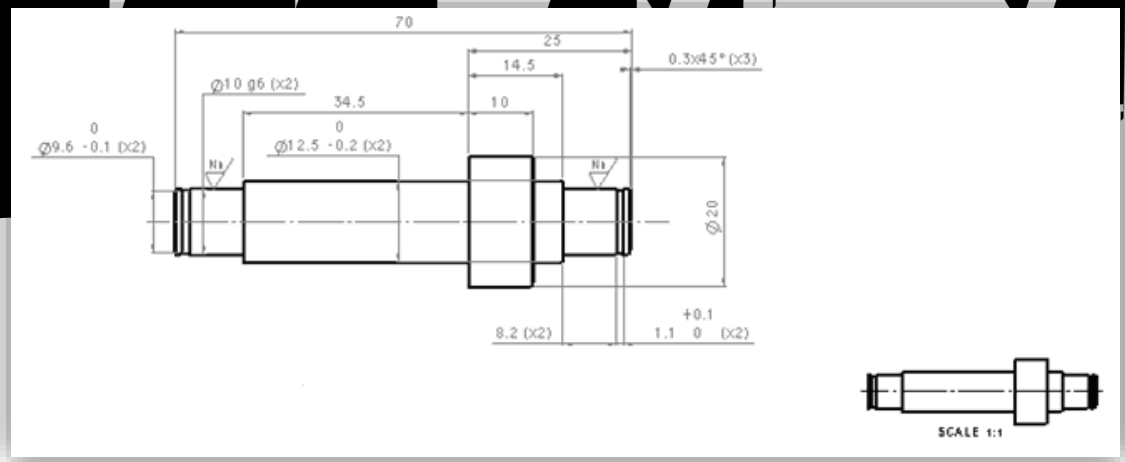
6040B c " f" " dg" ec gf" " " jg" jgg " f j." d " "c" g g" "

j" jg" g " dg" e gc "c" gf 0

6040C jg " g " c " " ec gf" " "c" g c ig" ec g" d ec g" h "

f c additional view (not isometric one) in 1 scale" j f" dg" cf "

f g" e g" c" " h" jg" c " gg" g "





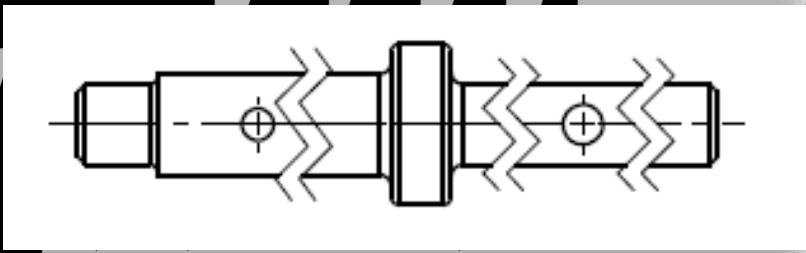
600ec g" c c "

Gcej" f c i jc " " fghc " ec g" jc " " c gf" " jg" f c i "V g" d e 0  
Gcej" g " " jc c" f h g g " ec g" ec gf" " " ec gf" f + " g" c gf"  
fg gc "h " i "

Xg ..... g c "C"  
Uc ..... 4 ..... ec g 3 3"

600 g v g

h g ." c f "hc " jgg + j dg" f c " "  
j" g" " f g c "h " h g" jg" c 0C c g" ec g" j f "dg"  
gf + " g " dg" g i " " i "hc g" " jg" c " "h " jg"



C c "f dg" ejge "h " fg c " jc " jc g" dg g " " dgec g" h" jg" d gc " g ."  
e f i" j g" c f" jg " hgc g" gg" dg "h " g c c +0'

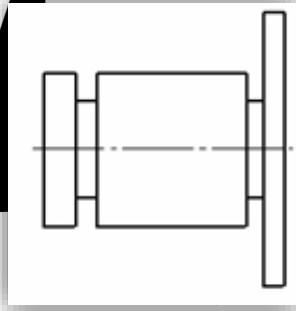
jg "t" c " fg ." j" c" d c " g " " j " f c i ." " d i" f c gf ." g "  
" d " " jg" f c ." jg" d gc " g ." c " g jg " jc " c " jg" gf"  
h c " " d c f j " " c 0" c " dg i" e c ."  
j g c " g " j dg " g " h dg" c c





7050 " g "

705030Q " g " h" c jgf" c " " g " "dc ."c "c " " g" j f"dg"cffgf 0Q g"  
f )" g" jg" Eg g "N g" c " " jg g"ec g (

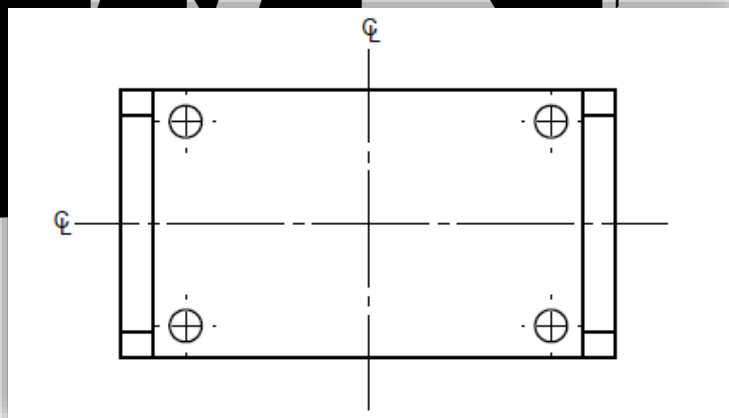


705040H " c " j"f " j g" " j gcf +."c "c " " g" j f"dg"cffgf" " jg"  
f "hgc g"eg g 0Y jg " i" c" g " c ec g" c f" jg" f "dge g"  
f " g." g" f )" f c c " g " "c " j fg" jg" f "hgc g 0

705050H " d g egf g " c " h" c" g c " j " jc " c "  
:" g " ec "dg" f "h " " ej" c g" f g gf 0

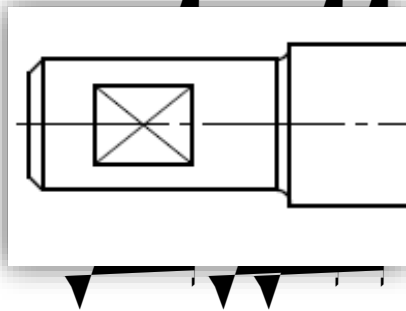
7060

" " " g " j c " f " f c "  
gf" " " g " h"  
" c "  
g c " j c " " g " g " j g " g " ec "  
d f " Z " " g " j f" dg" j" EN c "  
c " i" g " h"



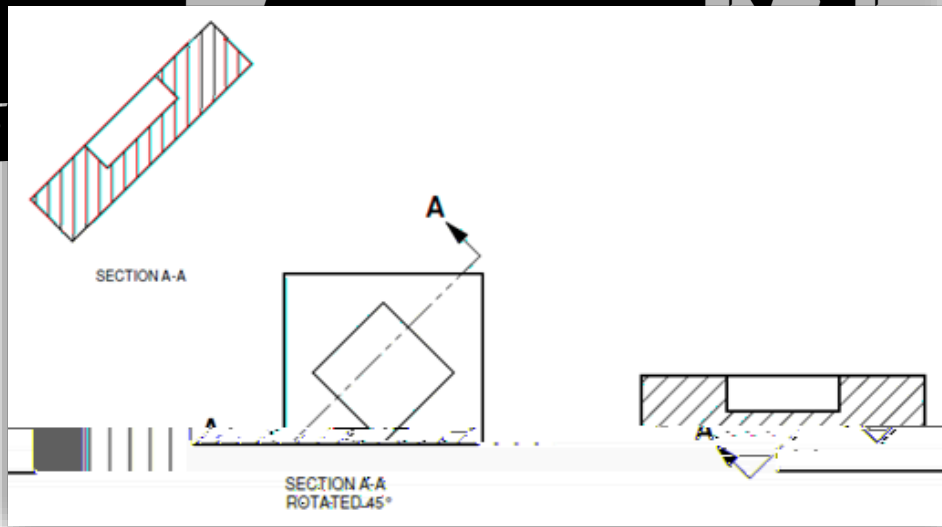
7070Hc " hceg" c "

K" fg " " c g" jg" ggf" h "cff c" g ." " "c"e " ce eg" " c "  
hc " c g" ec gf" " f" dge" j "fc c"e i" g 0Vjg" g "  
j f"dg"e ." j " g" c j g



### 6. Section views

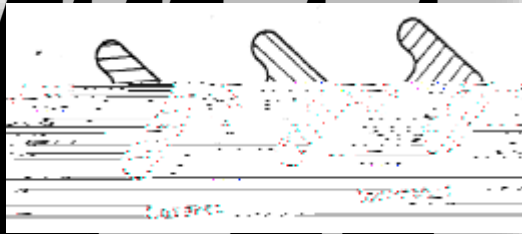
8030Uge " g " "e gc gf"d "e i" jg" c "c f" g i" jg"e "c gc" " fg " "  
j "h "c " e g" h" jge " c g0  
8040Q j f" " c g" c" ge g " " h" c" g ge " g "  
8050E Vjg"e " " gf" " g" j" jg jc j jg" ge "  
" jg" ge ge Y jg " f " " c g" c i + jg"  
" jg" " g" g" g" e " g "  
" c ." e dg,0 gf"



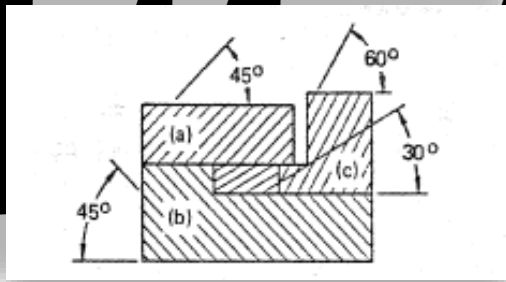


807090C gc"h " jc ej+ " g "

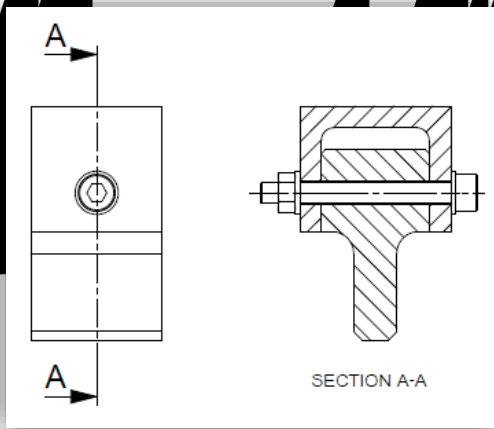
807090B C gc"h " g " j f" c c "dg" f c " c" c " c i g" " jg" c " d f " " " j" e " c gc" " ce eg." c" 45 " c i g" " jg" e " c i g+" "



80709040 K i" jg g" d g" f hg g " c " e " " jg" c g" c gc." g" j f" g" f hg g " g" c i g" h " gcej" h" g" c . " " fg" " f i j" dg gg " g" c "



80709050 J ig ." . " d . " dc ." g ." g ." " c f" c " c " c " j " j g + " jc" jg " c " c " " " jg" c g" c g" c " jg" e " se " c g." j f" " dg" e " " jg" e " e "

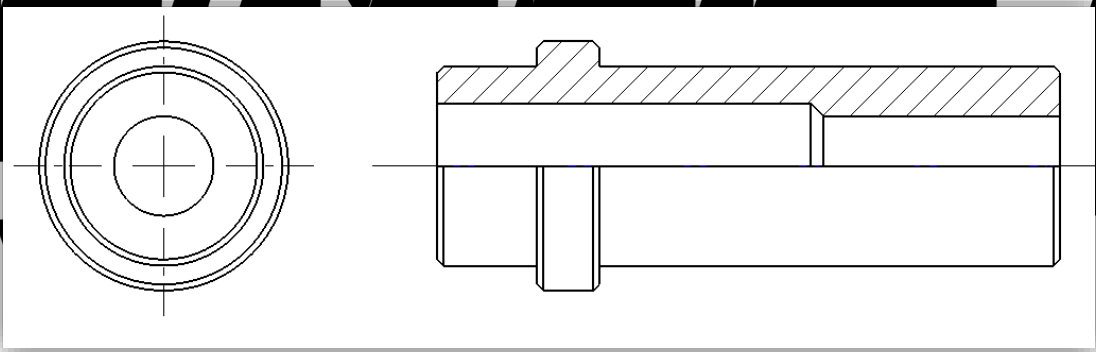






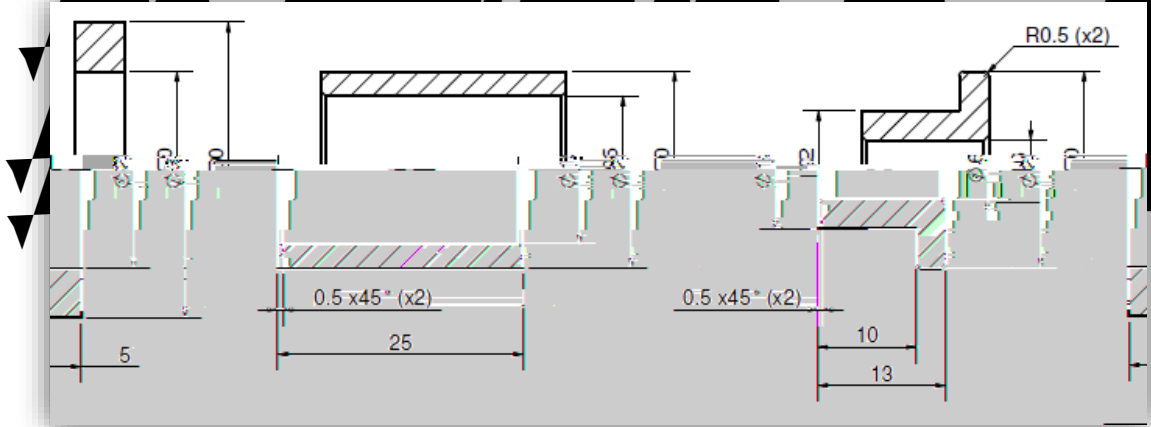
905Qc h' ge "

Jc h' ge " " c " gf" h " g ec" c 0Vjg" g" jc" e ge " jg" h "
g " c j" jch' ge " g " "dg' jg" g " g" c f" "c" d f " g0
Jffg g j f" "dg" gf" "jc ge " g 0jg g" " " ggf" " c "
g" e " c f" jg " " ggf" " g" jg" g 0" i g" f g " f"
" " " g" f g " jg" g c g c f"
" " " g c t " "00" h " c "
" g c g" g



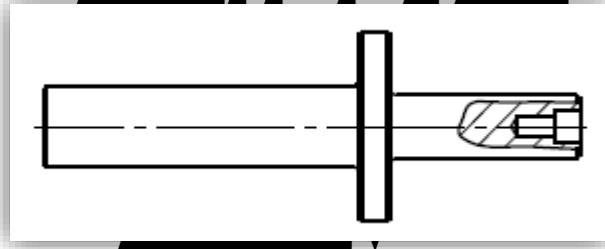
9060H " ge "c" jg" " g " " jg" f c i"

Ki" jg" f d " c " c g" g" f" g " g" c" d j i" "c" f " g" ec " g" jg"
h " ge " g " c" jg" i" g " h" g" c " " jg" ggf" h " jg" ge "
eg" " " jg" g " dg" jg" " g " hg" " e " 90" h " fg"
"j" "e" c g" d

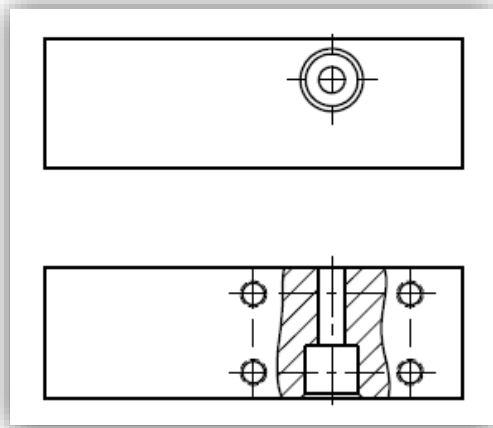


9070D g / " ge ""

D g / " ge " " cfg" jg " jg g" " " gc " " c g" c" h " d f " ge " "
d " jg g" c g" g' hgc g " jc " ec " dg gf" j " jg" g" h" e " ge " 0
W c " jg" h" g / " ge " jg " jg c " " c" c ig" g. " c f" g"
c" c jg " " " " j e j" g g f " c" j " 0

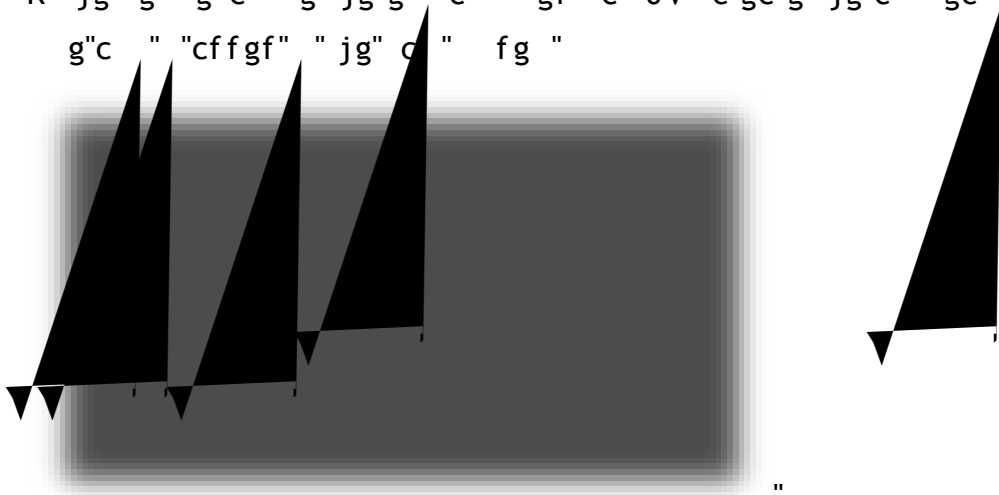


G c g"3"



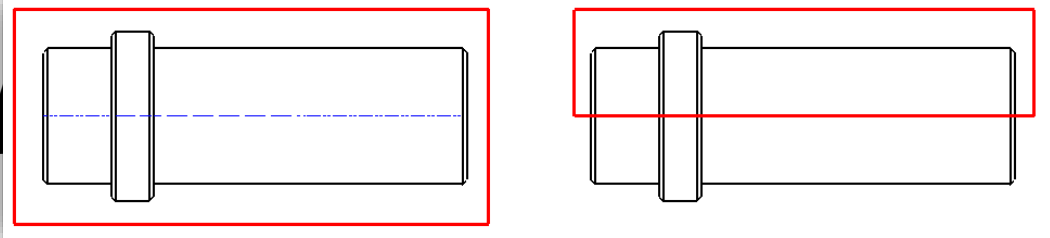
G c g"4"

K" jg" g " g c g" jg g" " c" gf" c 0V " e gc g" jg" e " ge " jg" c "
g" c " " c f f g f" " jg" c " f g "

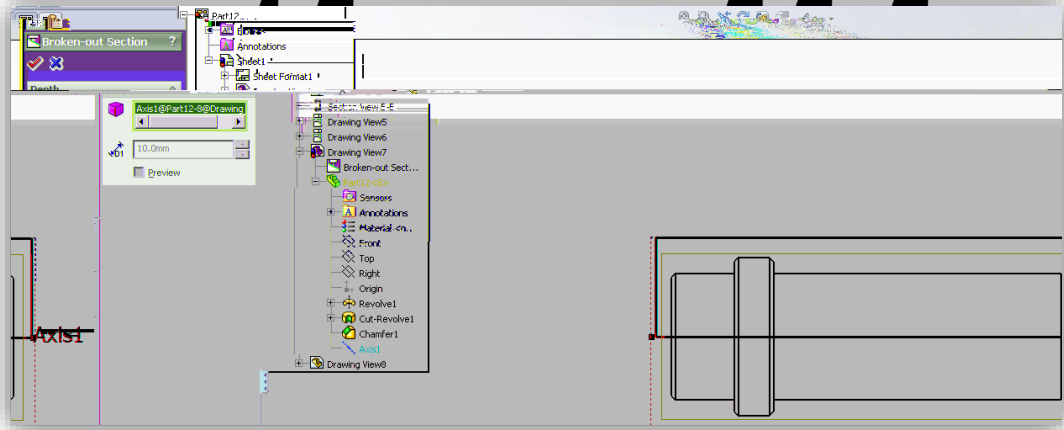


Y 22; "Ogejc ec "F c i"R e g "

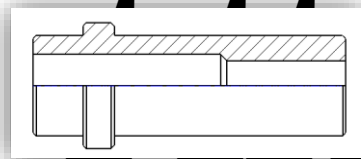
C" h " fg" g " " cffgf" " jg" f c i 0 H " j c h" g " g" ggf " " cff"  
ge c i g" " jg" " g 0 H " h " ge " g " jg" g c i g" ggf " " e e g"  
jg" j g" d



Wg" jg" D e g / " ge " hgc g" " e gc g" c" ge " g ." j" jg" fg j"  
gf" " jg" c " c "



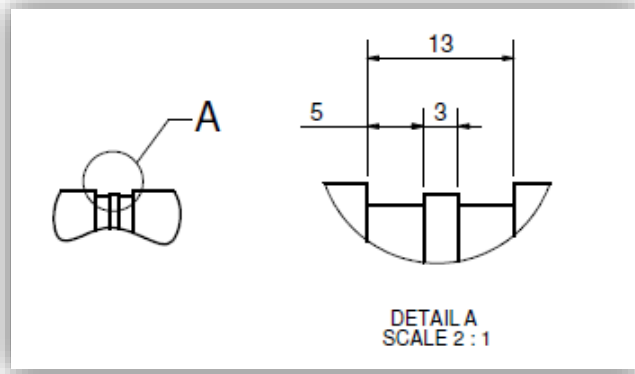
Vjg" h i" ge " g " " dg" e gc gf "



**Important Notice!!!**

U g g " c r g r e z n l jg" ec " h" c" j g" " jg" fg" h g" gg"  
g c " g" 4+ " jg" ge " g " f g " " f c g." j c " gc " j c" jg" ge "  
c g g c " " j g" " ec 0 Hc " g j c " j c." j g" " "  
f " " jg" f c " " jg g" " c" e j c i g" " f c g" j e c c f"  
" i" f g " " dg" gf" d " m a n u f a c t u r i n g e r r o r





P eg "Q g" j f" c c " g g dg " jc " " " c g" c c cdg "Fg c " g "

"jc i i" jg" f c i" ec g" " fg" " gg" jg g gf" f c . " c f" " c " jg"

dg " " h" jg" " j f" dg" g ge gf 0

: 05 " g " jc " " jg" " " " dg" g " g "

0

## 9. Thread Marking

Vj f " f" dg" c gf" c " g" h i" g c g "

## 10. Dimensioning

### 32030 General principles

32030 F " " f g " j ffg " g "

3203040 F " " f g " d hgc g" eg" " jg" c g" f c i "C" f g "

j f" c gc " " e" d h" jg" f g " g gf" h " dg g "

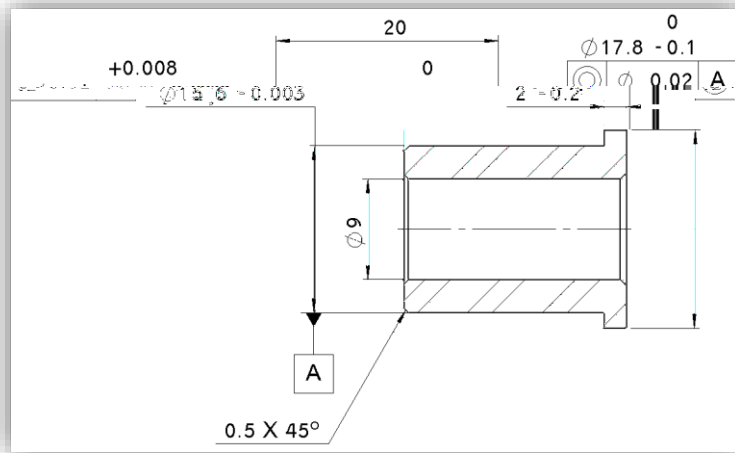
fg c f i " g" f g " " dg" c f" j" c g jg " Tgh g e 0

3203050 "C" h g " " g" c g " g jg"

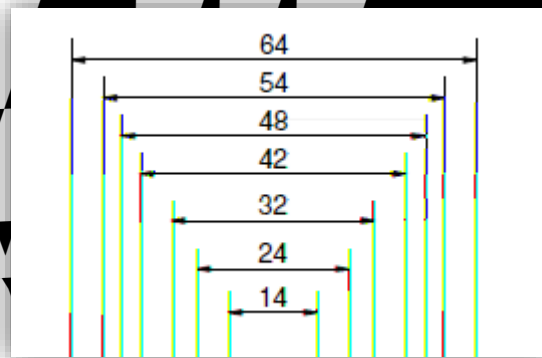
hgc g" " g



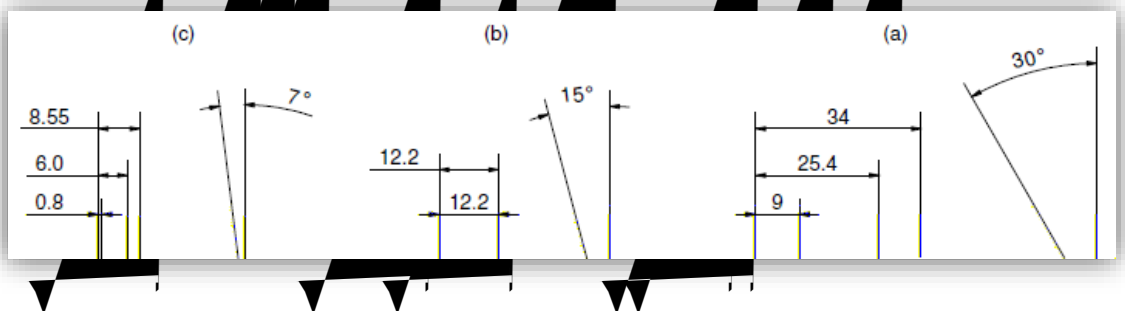
Y 22; "Ogejc ec "F c i"R e g "



3204050 "K" " ghg cdg" jc " jg" f g " g " f " "e "gcej" jg 0K"  
 ec g " jg " jg g" c g" c" dg " " f " " jc " ggf" "dg" i g " " jg"  
 c g" c " fg." jg" c g " f dg" e g " " jg" c "d f " c f"  
 jg" c i g " " dg" h



3204060 "Y jg g" " " ce ec " " " jg" f g " " jg" ghg gf"  
 c " g gf" cd g" jg" f g " " dg" gf c " " dg "



Y 22; " "Ogejc ec "F c i"R e g "

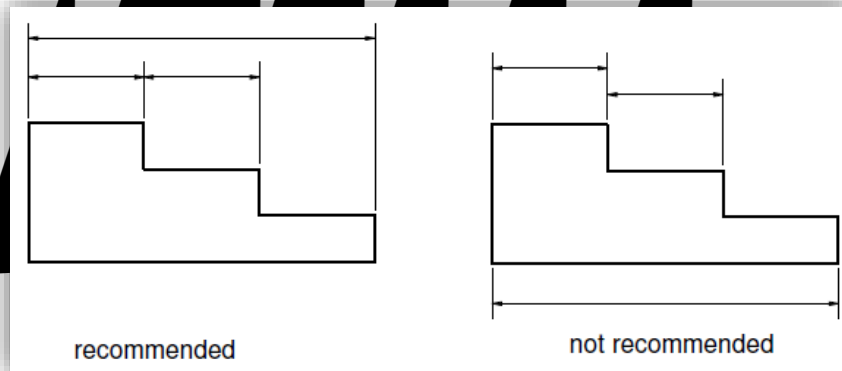
3204070

l i" f g "

Y jg g g " d . " c " f g " j f " dg " c i gf " c f " i gf " ig jg "

" jg " c f h " c " h " hgf " c g c eg " c f " " c " g "

gcf i 0

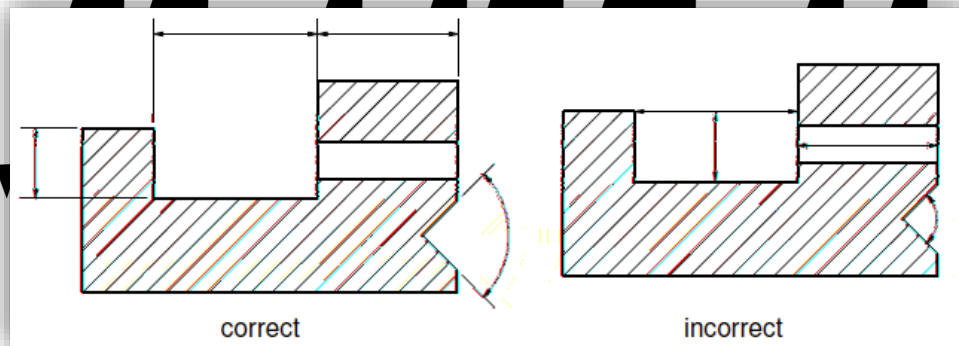


3204080

F g " j f " " dg " gf " fg " jg " c " d f " c gc " d "

j f " dg gf " fg " h " . " jg " g h jg " f g " g " c "

j " dg "

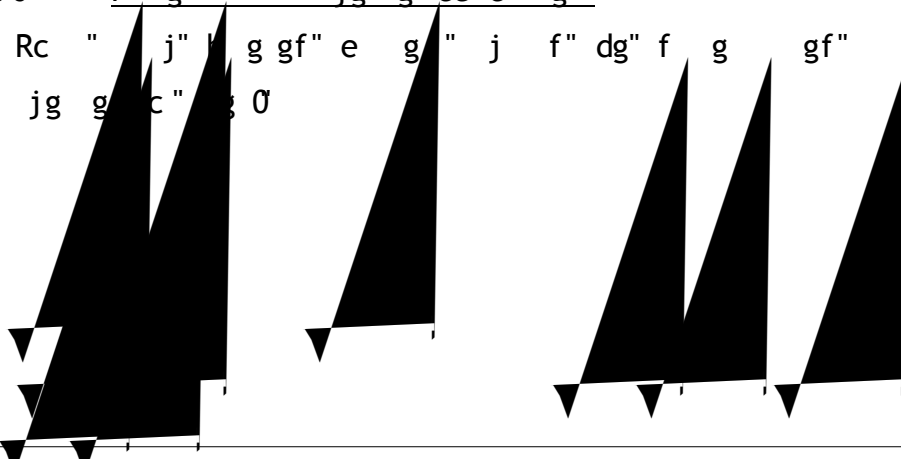


3204090

F g " " jg g ec " e g "

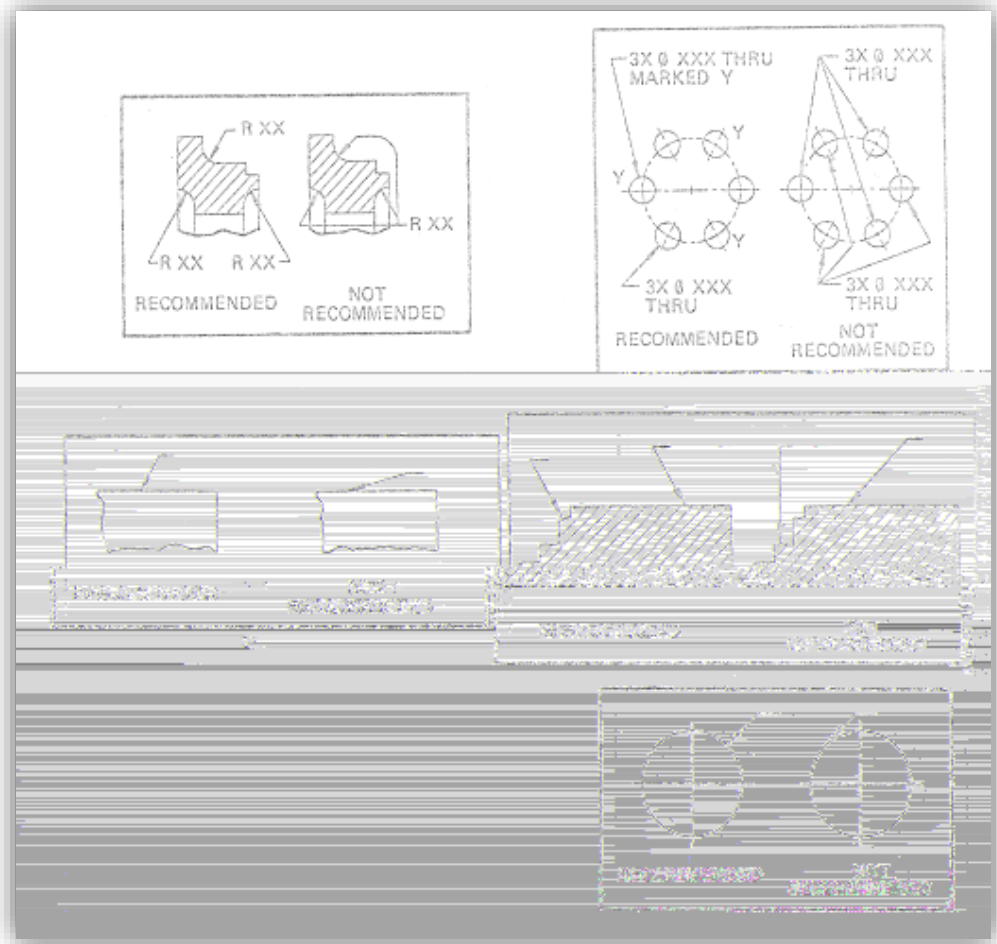
Rc " j " g gf " e g " j f " dg " f g gf " i " jg " c "

jg g c " g 0

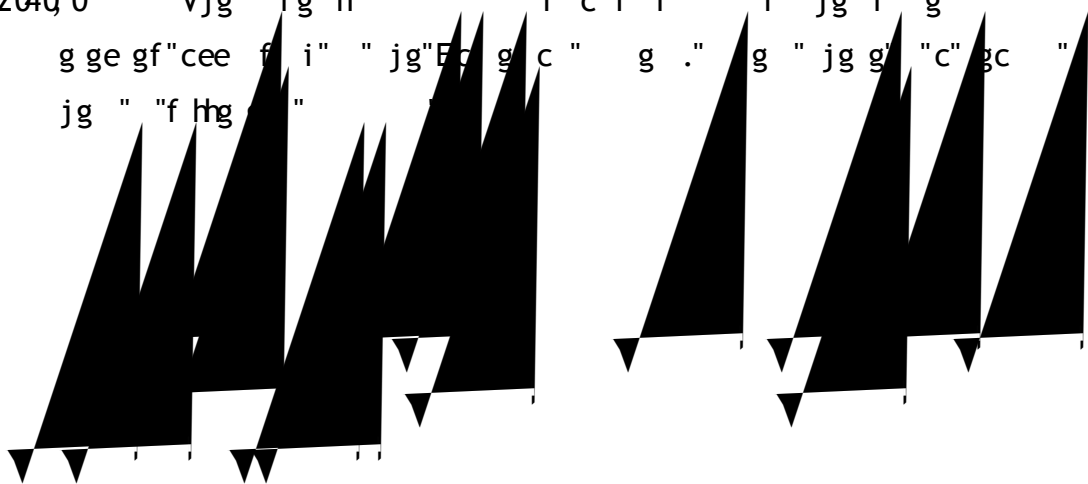




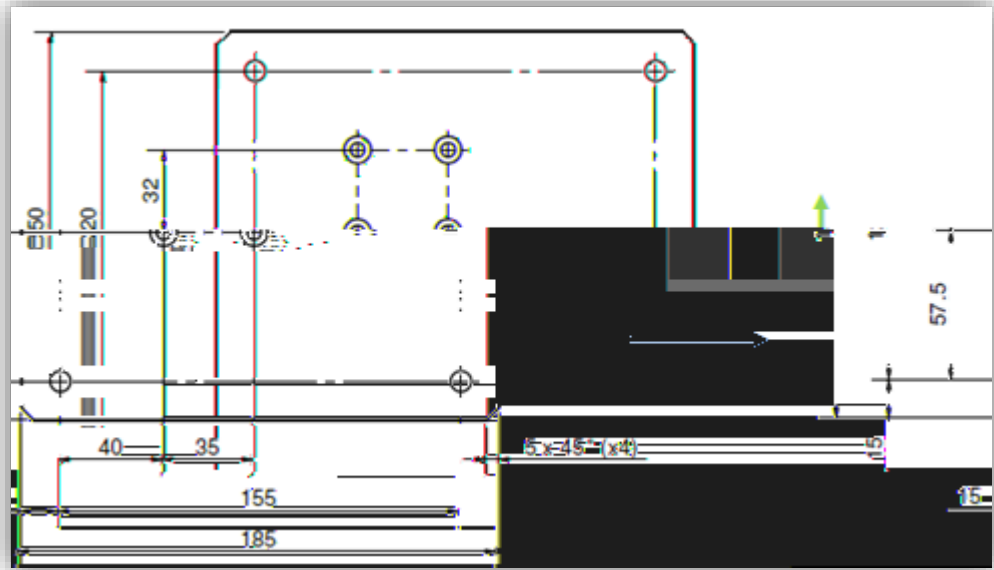
Y 22; " "Ogejc ec "F c i"R e g "



32040 0 "Vjg" fg" h " i" c f" i i" jg" f g " " dg"  
 g ge gf" cee f i" " jg" Ec g c " g ." g " jg g" "c" gc " " "  
 jg " "f hg "

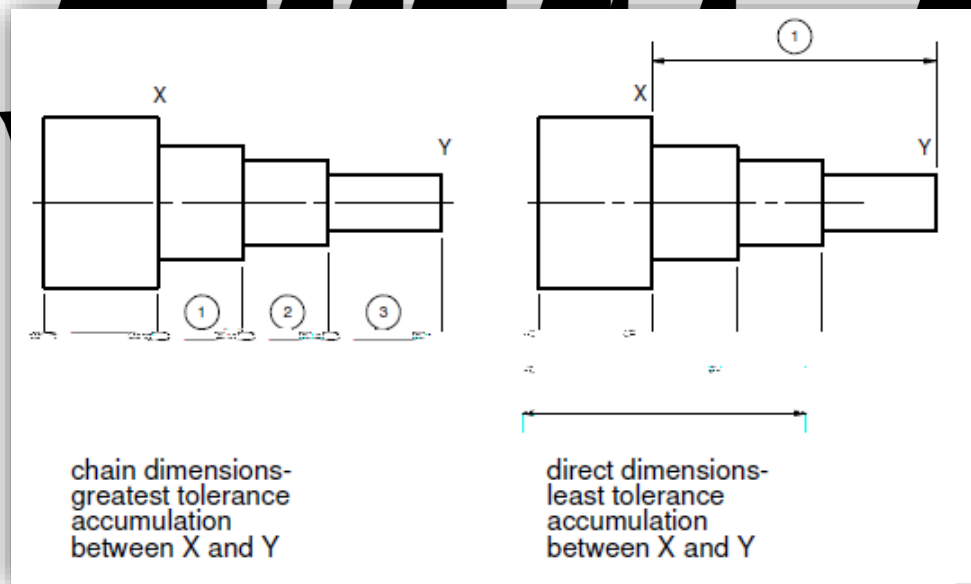


Y 22; " "Ogejc ec "F c i"R e g "



32040320 Ejc "f g "

Q g" j f" f" ejc " f g " j ej" gcf" " cee c " h"  
 g c es g g" g" jc " g " " h" jg" cee c " h"  
 g c e " hg" j c e +0



"  
 "  
 "  
 "

Y 22; " "Ogejc ec "F c i"R e g "



32040330 Ejc hg "f g "

3204033080 67 "c i g"ejc hg " "



3204033040 C " jg "ejc hg "

3204033050 Ejc hg "h "e i" hceg " "c i g" jg " jc ";2 "



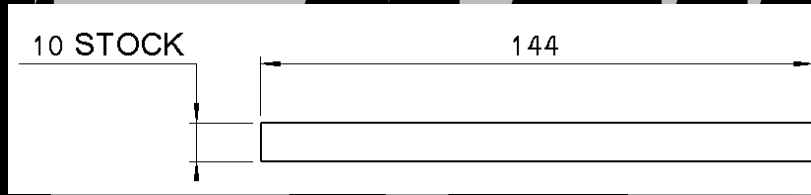
320403323"2"5S : "O6"K gY "36: g+6 +t "34"V " 3"c69"V " +VL 36: 924056"V "/2 Y "



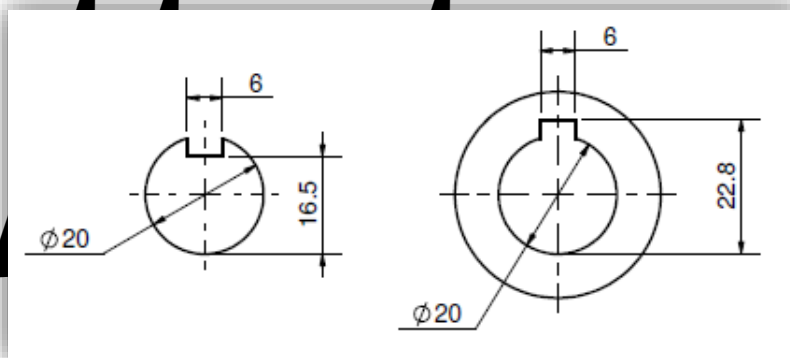
Y 22; " Ogejc ec "F c i"R e g "



32040360 Vjg" g" h"UVQEM'f g " jg" i c"f g " h" jg" c " c g c" jc "c g" " eg f" c ; " + "d;f c "fc" j "dg " g" j f" " g" jg"THK."P - Vjg"f g " j f"dg c gf"h "gc g" h" g i" g c g"dg

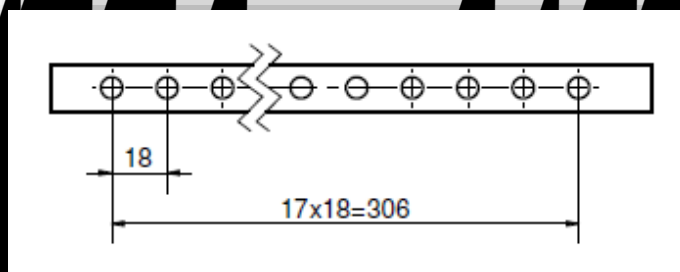


32040370 F g "h " g "j g" "dg" f c "c" h "



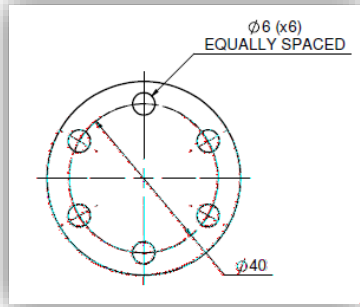
32040380 F g "h " g c " cegf" hgc g "

Q g" j f" g" jg" g j f"dg " "cff" f g "h " g c " cegf" hgc "OK" g g" "c"ejc eg" h fg d f i" g" ggf " " f ec g" j e j g" " h" g" " ghg " " g" f c g 0



32040390 F g "h " g c " cegf" e e c ""hgc g "

Y 22; " "Ogejc ec "F c i"R e g "



320403: 0 U "f g "

320403: 030 H "cej i" c hce i"

Vjg" "f g " " j f"dg" cffgf" " fg" "c " jg"  
 c h g " g" j"f h" g " cf " " h" c "h e c "  
 c " e g" " c " c j g f " g g c " i "  
 gce  
 H " " " g " " h" c " h " g"  
 h e c



320403: 040 H "EPE" ej" "c g"e i"h " jgg g c" c "

K" "ceeg cdg" "i g" g "f g " " fg"f g "c f" cf 0"

320403: 0 Q f c g" f g "

- j "g c g" . " jg c f g "e g"  
 " g " h" " i g c " g"  
 " f " D

g " g " i " " cee f " jg"  
 c h c " K " g" dg " jg "

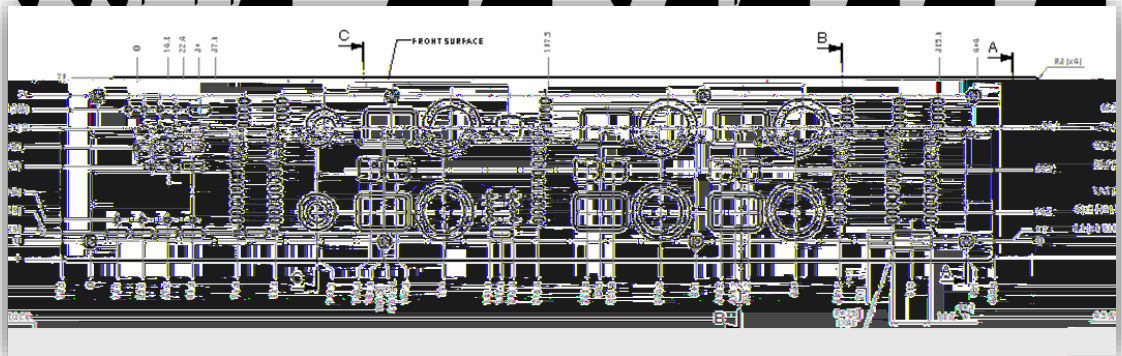
Y 22; " Ogejc ec "F c i"R e g "

" " " jg"eg g " h" jg" gh" g "f "j g" c f" "c " jg" c "

gf/g+

- Y g g g" c g" c "f g . " jg" " "ec "dg"i g " eg."
- j" fg " h" jg" c .c f" jg" g " "g t " gcf"
- jg " gh1 i "c f 1f

Ugg g 0



**Notice:** "Vjg" g " " jc" c " gge gf" " jg" c g" "c " jg" jg" g " h"

jg" c " " jg" f c i 0

32040420 U c g g "

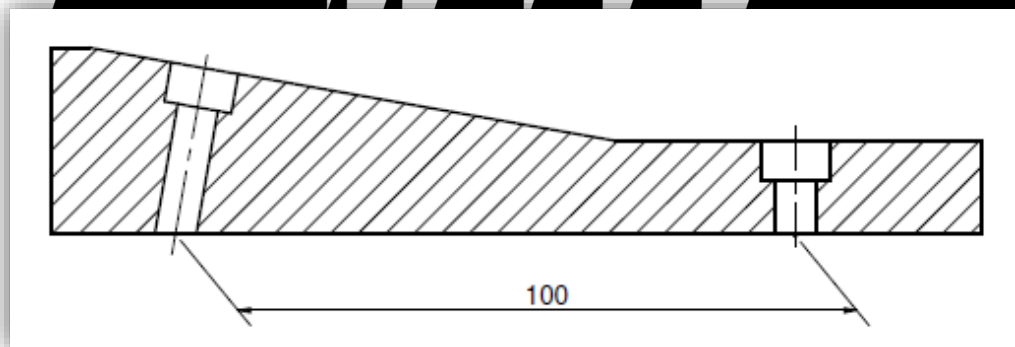
Y "c" f " " "f c "h " " "c" g." jg" f g "dg"

gf 0 " i" g c " g" ij " j g" " g " "

d " " " jg" gh " g jc " c " g" " g d "ceg 0

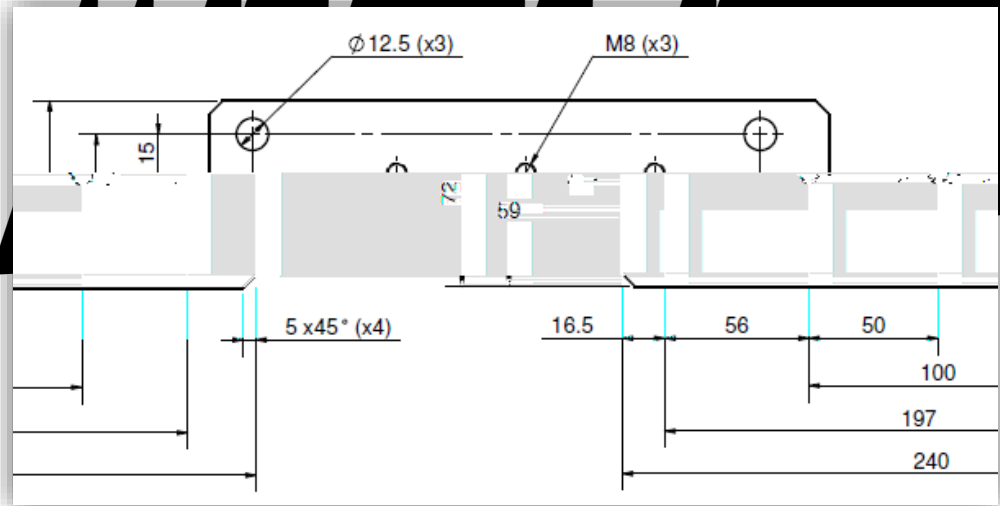
vjg gh "dg gg "g" f "j "eg g "e "h "

jg" d " " "dg " c g "

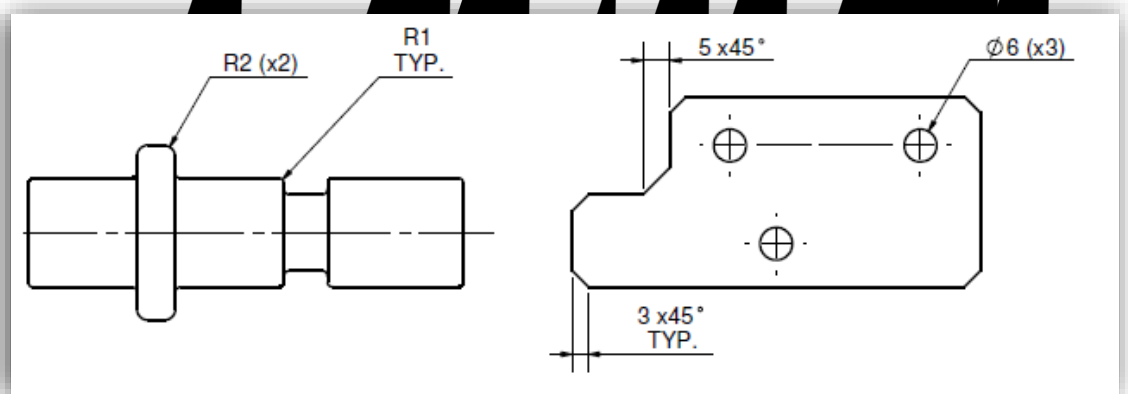


Y 22; " "Ogejc ec "F c i"R e g "

32040430 Y jg "c"hg c g " " g g g" " jg" c g" f c i" g " g" f " j g ." " j gcf +." jg" f g " dg" i g " eg" " f ec " h" g" dg " h" g gc " " j c " " g 0Vjg" f " g " g" c g jg " j" g f " g + " j " dg



32040440 Vjg" g" h" TYP. " c " " dg" c fg" "h " g g g" h g " " ejc hg " " c ecd g" h " f j g + 0Vjg" c " " dg" c f " " ec c " g g " c f" fg gc j" jg" f 0C g c g ." jg" d h" g " " ejc hg " ec " dg" g f" c f c ee f i



32040450 H " fg ec "hg c g " jc "c gc " " f hg g " g " " jg" f c i." jg" e " g " " dg" h " gcej" g g c c g 0Vj " g" c g "

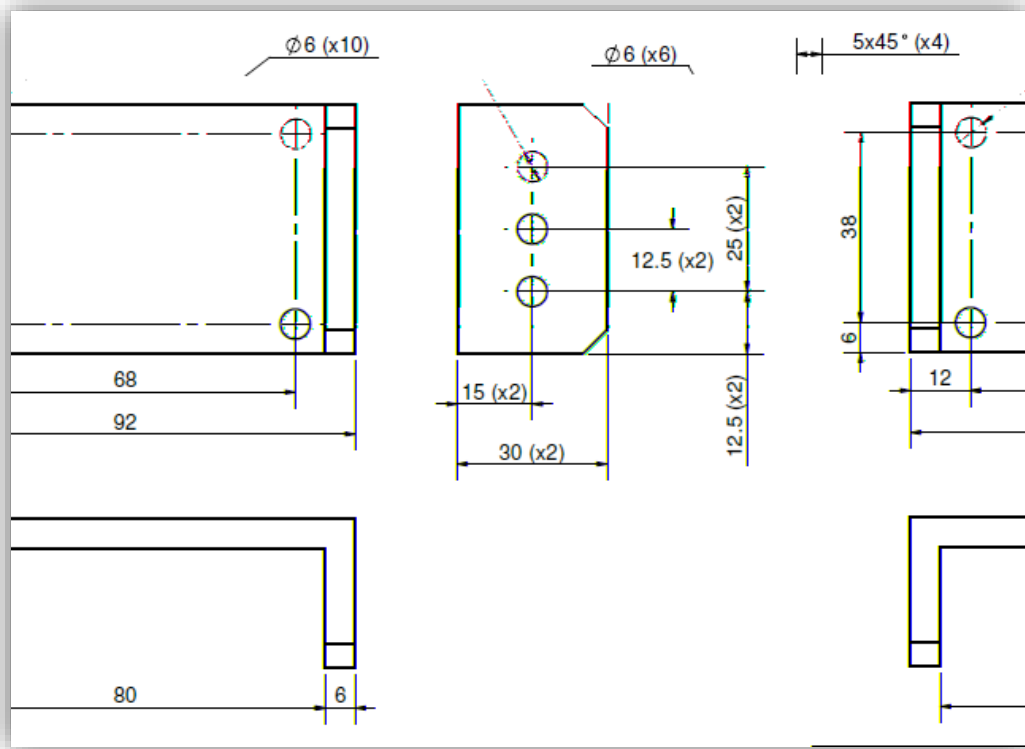
Y 22; " "Ogejc ec "F c i"R e g "



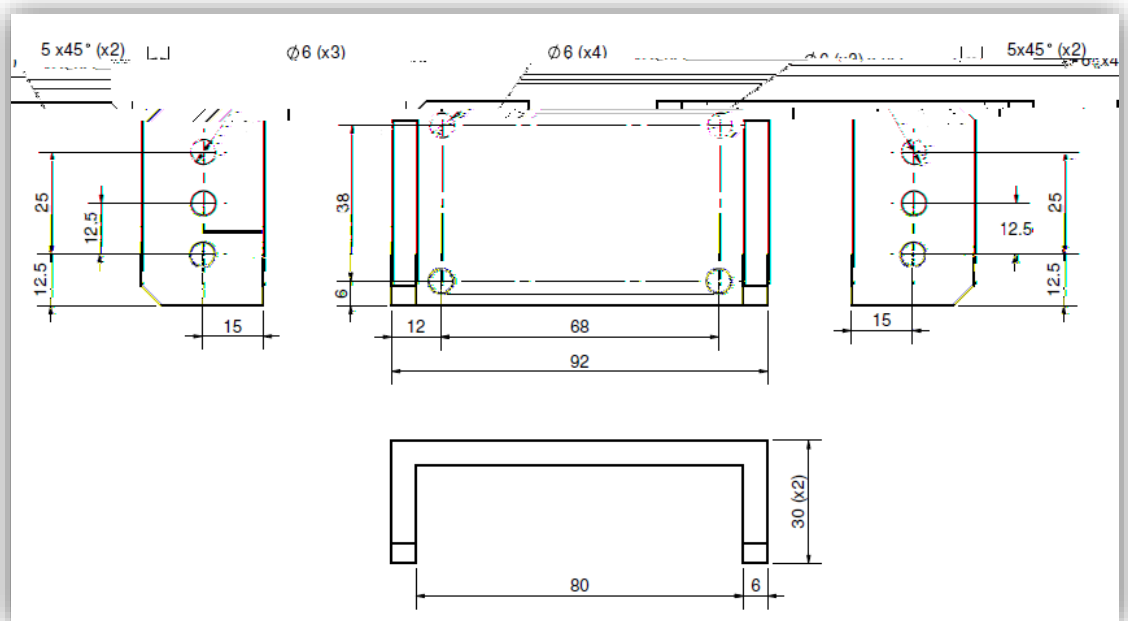
c " " ge " g " c"e "h "c"



Y 22; "Ogej c ec "F c i"R e g "



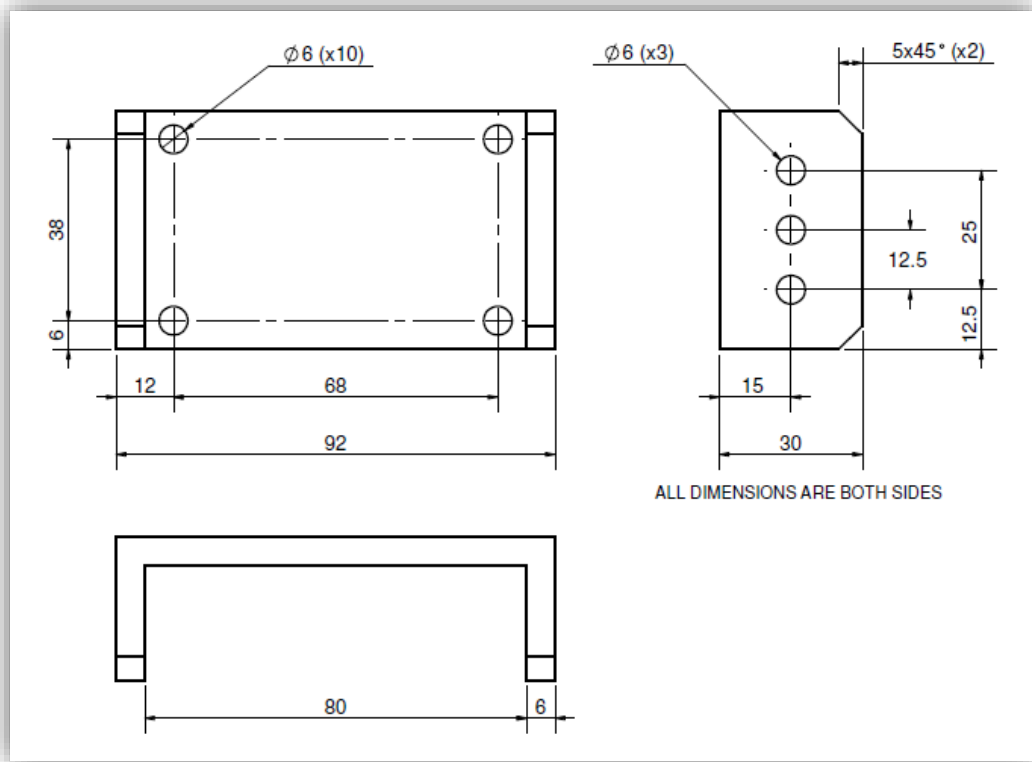
**Wrong**



**Right**

Ki'c " jg"hg c g " " " g c c g" g "c g" fg ec ." jg"h i" c g "

Y 22; "Ogejc ec "F c i"R e g "



32040460 Kic" g " "c" ge " g " " gf" c " ec " fg " jg" j " g "

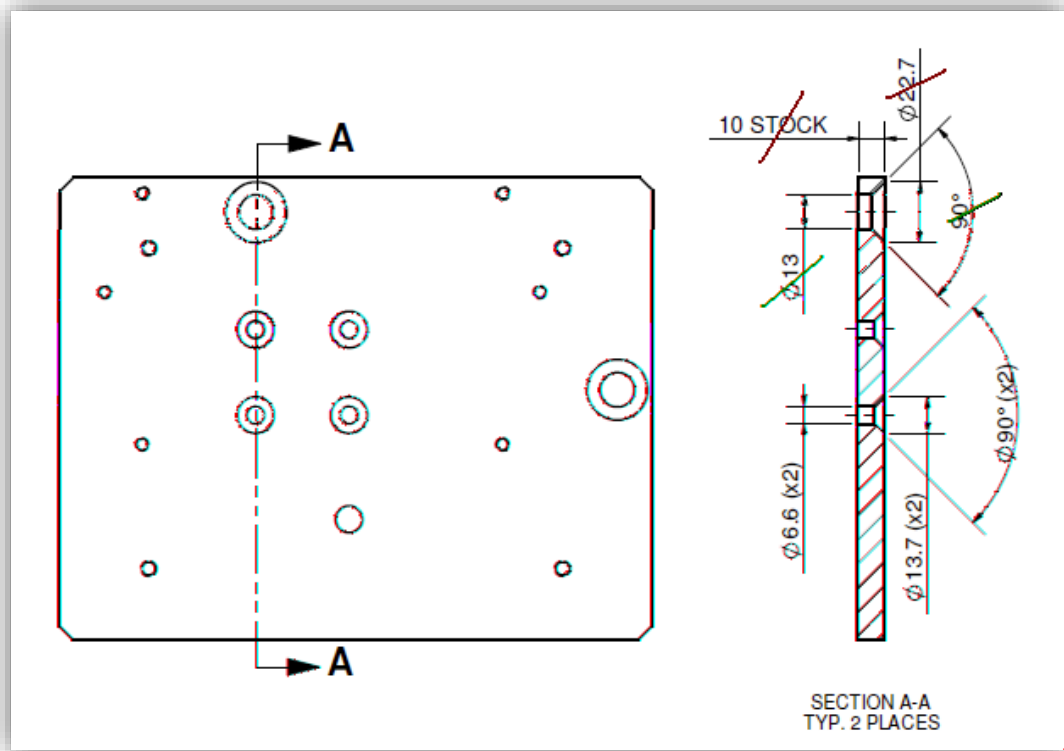
"dg" cffgf" jg" dg" h" g g " c " TY. 2 PLACES +. " g" j f"

edge " jc " d" jg" hgc " j " c " " " j " g " c g" fggf" fg ec "

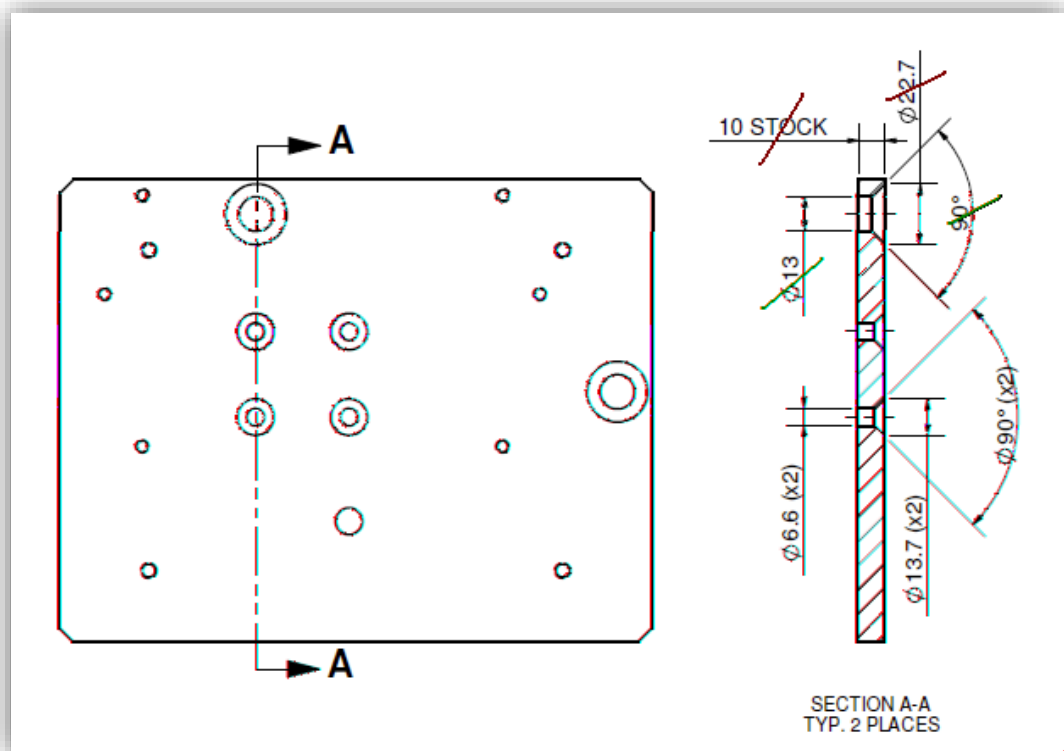
"c " jg" h " g " " " " " Ki" " g" g " " j " " jg"

g ec " h " g +0" g " "

Y 22; " "Ogejc ec "F c i"R e g "



Wrong



Right



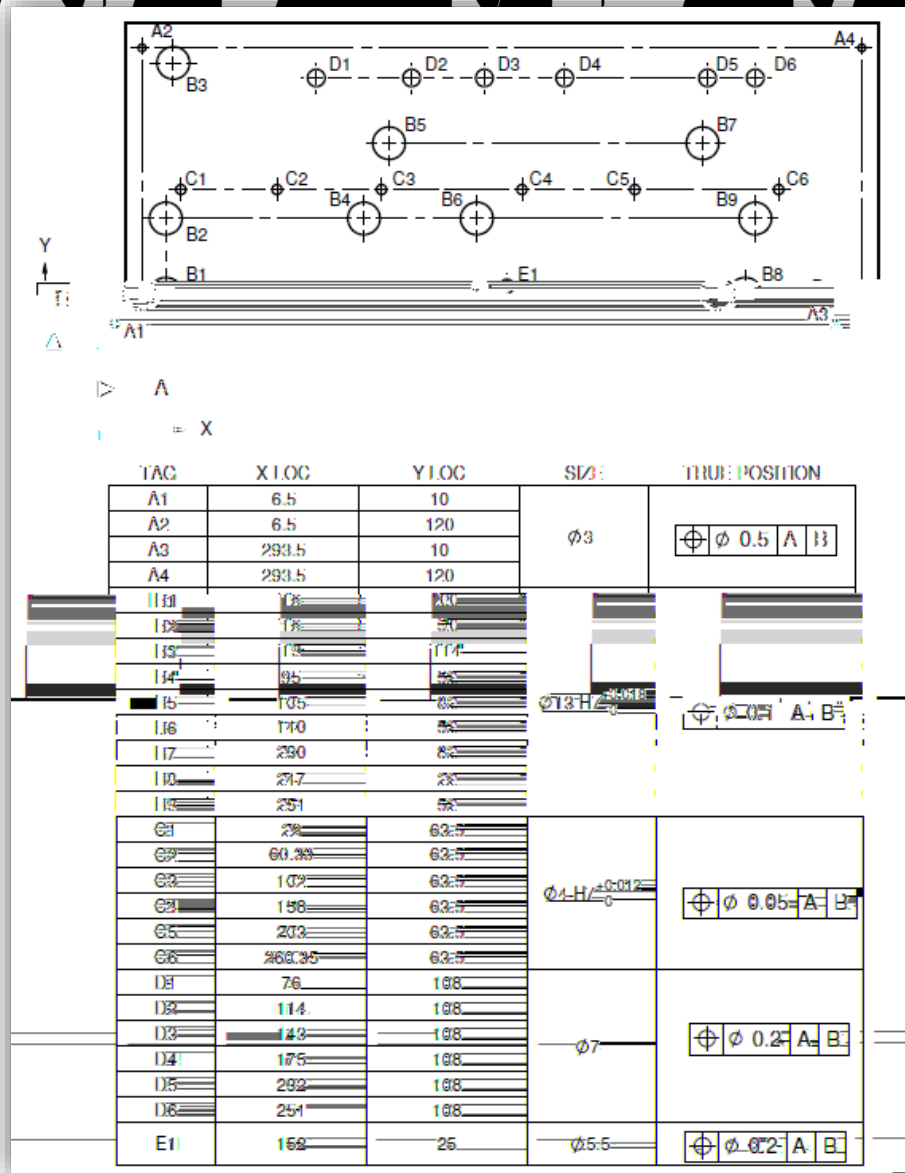






3204520 Vcd c "f g "

Y jg " jg g" c g" c "f gf" j g " " jg" c . "c f" " " ce ec" "f c "c "  
 jg" f g . " "h i" g j f" "ceeg cdg" (e f c g" g " "  
 h g" f" h " g g e" cej" g" h" jg gf" j" c" g g "c" f"  
 c" dg" g e" c g" g" j g " i c g g +0C" c g"  
 j "d " j g) " d "f gf" j . "  
 j jg" g " g" g c g"



10.2.31. Sheet metal parts

3204053030 "V " jg" jgg " g c" j e g " f g " jg" f" UVQEM"

j f"dg"cffgf Ø

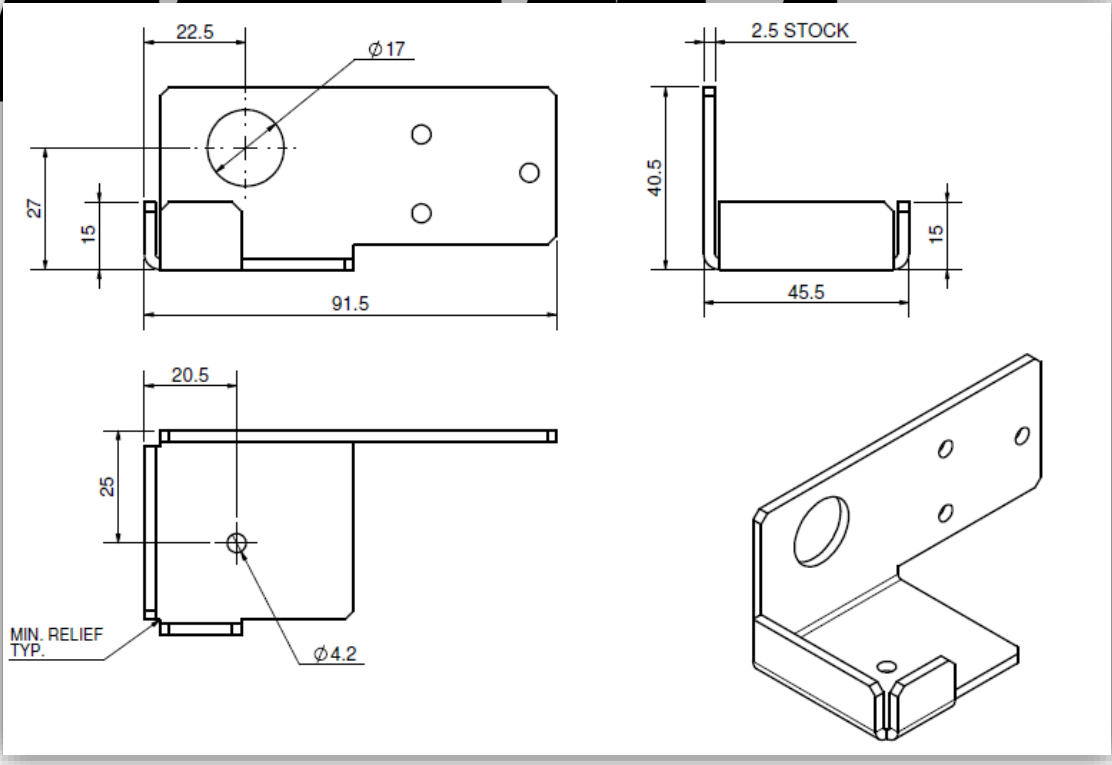
3204053040 "C " jg"f g " j f"dg"i " g g c"dg f " g "

jg" g c"f g " + " g jic"egc " j " jg"

f g gf"dg f Ø

3204053050 "J g " g " "i" f" g Ø

3204053060 " " g c" f " dg" gf" dg gg " "



Ujgg " g c" c "hg g "jc g" c" " h'e g " cegf"j g."

jej" c g" f g i."g gec " j" g c eg ."f h'e ØK"

jg g"ec g " f c "f g " j " g c eg" ec " "

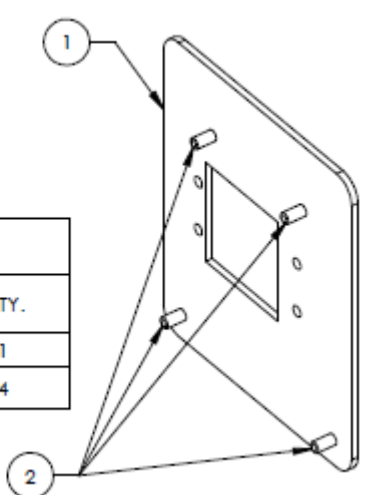
c g cdg."c " . " j "cf f "c" g" c " j g "



## 11. Drawings of parts with fasteners

### 11.1. Drawing Parts That Have Self Clinching Fasteners (PEM)

Vjg" c " fg" "c" d/c g d " h" jg" jgg " g c" c " -" hc g g 0 Vjg"  
 f c i" "dg"e gf" h" g e" g " h" jg" d/c g d "c f" ge "  
 g "h" j" jgg g c" c " j "jg" c g g 0Q g" j f"dg" c c g" jc "jg"  
 f c i" g" d "e " g "c" f c "h " jg" h " g " g g " "  
 c i" " "ejg" ec g" "fg c 0 Vjg" " "e" "  
 " g " g " ejge" h " jg" e g d " g " jg"  
 u n" g" f c " f" j g " " g "  
 egf  
 " jg" e" c l i" g " g " n " cd g" jg"  
 d  
 c " dg c g " jg" g e" g " jg" " f" jg" jgg "  
 g e" j " c r c " dg" c " c " 3 " g " g g " c g"  
 dg " g "

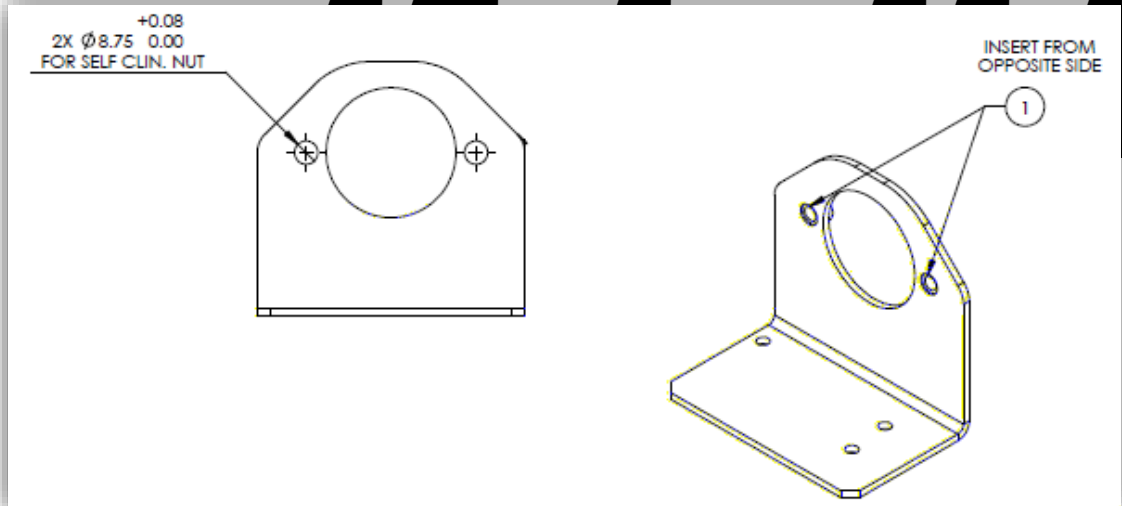


BOM Table			
ITEM NO.	PART NUMBER	DESCRIPTION	QTY.
1	252-15508B	BASE, POWER BOX	1
2	300-00125	STUD M4 x10 SELF CLIN STST	4

Vjg g" " " ggf" "j fg" jg" jgg " g c" c " " jg" DQO" cd g 0  
 • F gf j g" h " g h" ej i" hc g g " g" R 0+ j c " x.xx<sup>+0.08</sup> " g c eg 0 Vjg"  
 f g j g" g" j " dg f g gf" i" f i " ge " j" c f f " c "

Y 22; " "Ogejc ec "F c i"R e g "

g" fg gc j" jg"f g " jg" g" "cffgf" " jg"f g "h e "  
c f" "c "c" g c c gf)t t +"  
HQT"UGNH'ENR OUVWF " H G'IGNH'ENR O W "



- Rgc g" egf" jc " eec c ." dgec g" h" jg" cig" jgg " g c " c "  
gf egf" eg " " " " d "h " jej" fg" jg"hc g g " " g gf OQ g"  
j f" fec g' jg"e ge fg" h" jg" g " j" jg"h " i" c ."

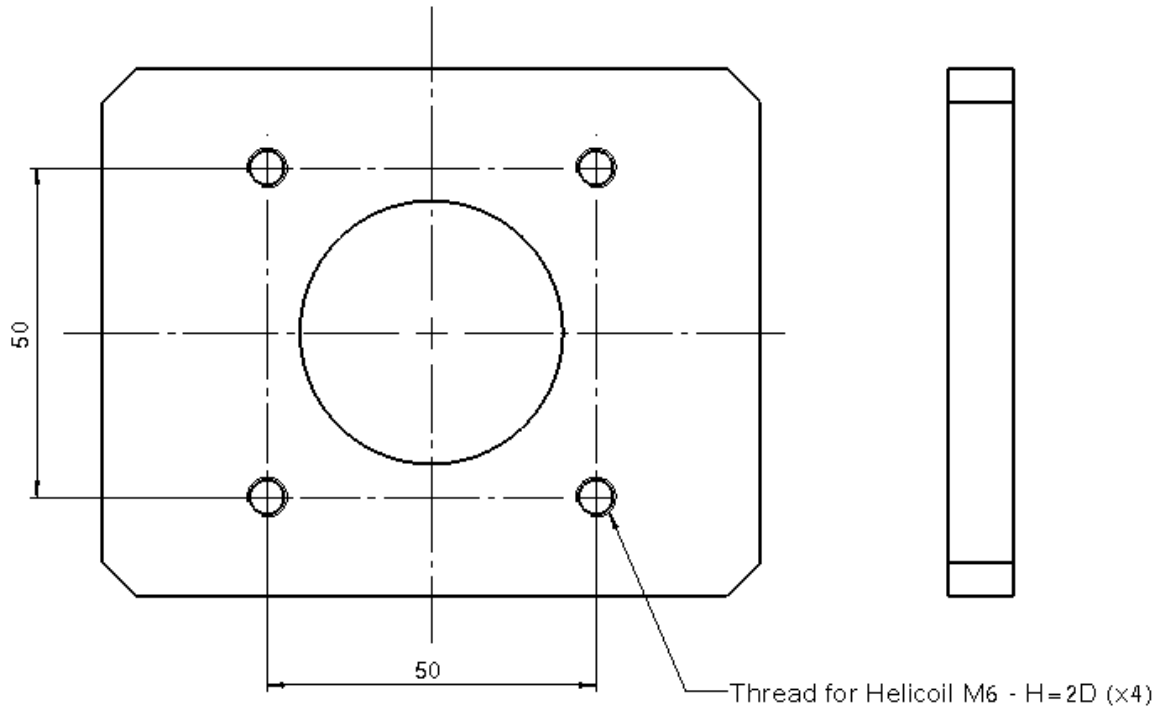
RVC QO U'UF O  
RVC QUW "



- C" g" "dg"cffgf" " jg" " h" g" chg"e c i+" jc " "f ge" jg"  
 c hce g" "cff" jg"hc ; g "c" c " h" jg" c hce " eg 0'  
 Ugg" cig"dg 0'

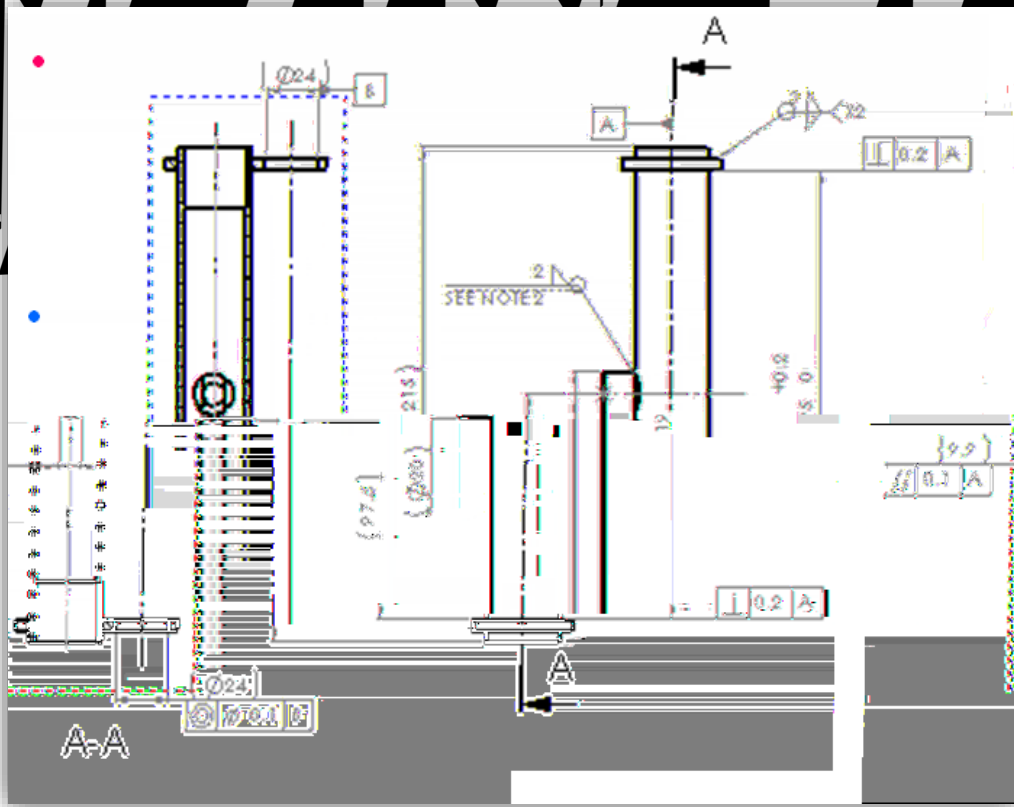
NOTES:

1. Unless otherwise specified, for part dimensions see model file. General tolerances apply.
2. Material: AA 6061-T6 Sheet/Plate Per ASTM B209
3. Dimensions are BEFORE COATING.
4. Mask threads up to M6 OR 1/4" before coating.
5. Finish: Black Sulfuric Anodize per;Mil-A-8625 Type II, Class 2, 15±5µ;(RoHS Compliant)
6. Insert fasteners (HeliCoil) after coating acc. to drawing instructions.



## 12. Welds drawings

34030 H " gf" c g d "f c i." ig g c" c g d "f g " chg" gf i+  
 j f"dg"i g "c f"cff c" c "f g 0  
 K" jg" g g c g." " g" g c" c " j" 46 j g" h " g c g"  
 g fgf 0V "f gf"j " g" " c" g gf" dg" e eg Q g"  
 j f" c" j" ij e" g c g" c g" j c" c" h "  
 c i g j f" d i" j g f" g" j g gf"  
 e eg



K" jg" P g " " jg" h i" g" "dg" cff gf "  
 Dgh g" g f i." g "c" f" 46 dg gg " c g " 0ZZ0"  
 K" g" ec . " " dg" " jg" c g d " g fgf" c "c" jg" "h "  
 c i g c" g g" e" " jg" g" " ghg" " jg" c " dg" c" jg"  
 c i g



### 13. Assembly drawing

C g d "f c i" jc " e fg" jg" h i "

35080 Xg " h" jg c g dgf" c g d " j" jg" g g c" f j." g i j" c f "

fg ij " " c g jg " h " g c " g" h c " c f" c " g e "

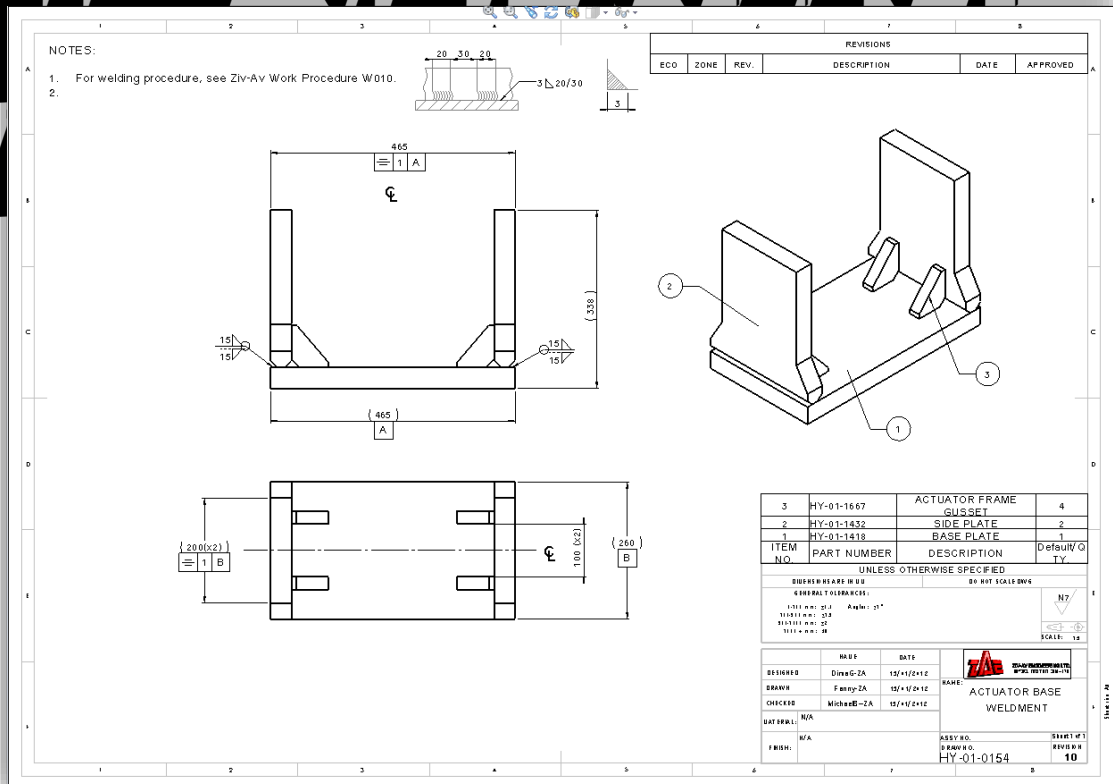
35040 f " fgf" g h " g " K " c " gf" " g g " g "

35 " " " " c " g "

ceeg " e " g "

35000 DQO" j " cd " jg c " i" " d e " g" DQO"

350 " jg " j f " f " g 0 "

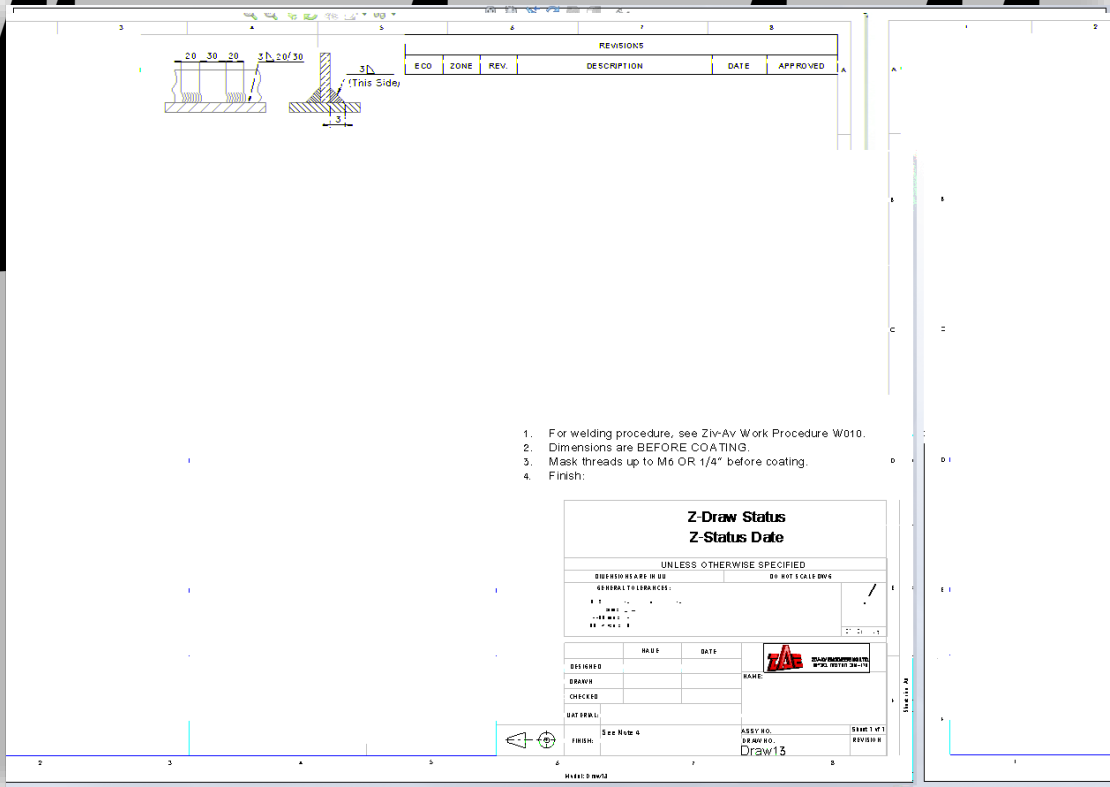


35080 K"ec g" jg"DQO" cd g" " " i." " j f"dg" gf" " jg" gh" fg" h "

jg" f c i" jgg ."c f" jg jgg " g" j f" dg" gf" cd g" jg" jgg "

Y 22;" "Ogejc ec "F c i"R e g "

g"d e 0'K'i jg"DQO" cd g" " " i"h " jg"f c i" jgg "jg ij ." " j f"dg"  
" gg"g c g"dg +0'



#### 14. Revision table (ECO)

36030 ""C" dg gf" c i g" j f"dg" gf" gc " jg"ejc igf"f g "

j" jg" gg c " g " dg 0'K'i jg" T " cd g"jc "c" \QPG"hg f." jg"

c i g" "c gc" f"dg" gf 0'

3604 K" jg" g e "hg f." f"fg e dg" jg"f g"

h g" jg" c ig" g c g"

dimensi 0 ng d p 5

K" jg" g " " jg" g "

e c . j " i dg i Part esigne i"

36060 Vjg" Tg " cdg" EQ" hg f" j f" dg" h gf" j" jg" g g c " EQ"  
 Gi gg i" E ig" Q fg + dg ." c " g g " ej ig" "cee c gf" j" c "  
 EQ"  
 36070 Q " f " g" jg" c " g" h " jg" ejc f g 0H " c g "  
 • f g g" c f f g f"  
 • g " c " c f f g  
 f g g gf"  
 • "72" c " ejc igf" "74"

REVISIONS					
ECO	ZONE	REV.	DESCRIPTION	DATE	APPROVED
#20	D2	11	CHANGE SLOTS TO HOLES	24.04.12	Tal G.

15. Dimensioning methods

W g " " " jg g" f g e f g f " c " jg" dgi i" h" jg" ge ." f c i " " dg" c f g"  
 " jg" i" c "

Dimensioning method	
<ul style="list-style-type: none"> <li>• f g " j" g " 32" f g " " C " " c g "</li> <li>• O fg " j" g" jc " 3" f c "</li> <li>• f " f g</li> <li>• c f g g " " eg "</li> <li>hg " j " i" i g g " g 0</li> </ul>	
<b>Sheet metal</b> <ul style="list-style-type: none"> <li>• Dg f i" f g "</li> <li>• Q g" g " j g" ec " f g " g " dg f" hceg"</li> <li>• Hc " j g f " f g l " g ." c " c f " hc g g ) "</li> </ul>	

Type of Drawing	Dimensioning method
Metal casting	<ul style="list-style-type: none"> <li>• G g c "f g "</li> <li>• P g "cee f i " c hce g )" gehe" g g g "</li> <li>• R /ec "i" "j i" f c i" "jc g c " jg" cej i"</li> </ul>
Plastic casting	<ul style="list-style-type: none"> <li>• G g c "f g "</li> <li>• P g "</li> </ul>
Welds	<ul style="list-style-type: none"> <li>• G g c "f g "</li> <li>• Rc " " f g " h" g gf +0'</li> <li>• R / g " i" "ej i" c i" "jc g c " jg" cej i"</li> </ul>
Assemblies	k'i' g gf" " "c g d " c "f g "

16. Dimension tolerances

F g " g c eg " "dg"i g "cee f i" "UK: 87" dc gf" "KJQ" T'628" c f "KJQ" 4 8+0'

17. Geometric tolerances

g "e" g c e " g "cee i" "UK3232" dc gf" "KJQ" FT'3323+0'Vjg" c dg " cdg " g " c " C "c f" "e g" c jcdg ec 0'

18. Surface finish

U h " j" d " g " i" "t 2" gf" "KJQ" 3524+0' Vjg " " dg



### 19. Weld symbols

Dg f" d " "dg" gf"cee f i" "UK3283" Dc gf" "KUQ"FT"4775+0  
H " jg"f hng g eg "dg gg "KUQ" c f"CPUK c f c f " gc g" gg" \ /C "G i gg i" "  
Y " jgf Y 239" "CPUKCY Ygf i" d 0  
"

### 20. Drawings configuration sheet-list

Dgh " i" f c i " " " e g +  
K" j " dg" jg" jc " jg n " " f g " "ejge "h " "g " " jg"  
j " g c " g g" " g " jg " " c g" dg" g h " gf" j " g f " g + " d "  
"ec "dg" "c" f " i" e " "ejg " . " jc " " g g " c hce i"  
" f " e " f c " f " " c g" g h " jg" hce " f c i"  
ge " " g " 1" " g +

#### 20.1. General

- " c " f " g" g " jg"
- e 0
- h" f " i " g " g g " c ig" ec " jg g" "c" 3 3 ec g" g " "c "
- e" g " " jg" fg" h" jg" jg 0
- g" "hg f "c g" h gf 0



42040 U i g" jgg " g c" c "

- l g g c"e "f g " h" jg"dg " c 0
- E jg "c" dg f ) g " g i j+ " jg" c ." " "g c i"
- "f g " f c i 0
- D j) f g g " -" c g" h " i g " f h g g j c "90
- j g
- g " "f " j g -" f g " h
- " c e i " g e j g "
- e " h " g d " 90 " " h e j i "

20.3. Fully developed drawings

- 420500 U c 'g'ejge "c " " gf egf" f g "f i "
- 420540 C " jg" c "gc g "c g" f g g 0

20.4. Welds drawings

- 420600 DQO" cd g" cd e 0" QO" cd g" g "c g" c "
- jg"d
- 420640 C " c "c "c "c "c " gf 0
- 420650 Q g c "f " h" g " g " g f i 0
- 420660 K c " "ch g " g i 0
- 420670 C " c " g f " d 0

20.5. Assemb

- 420700 C " "c g"e " g "fge f g f" jg g 0
- 420740 C " g " f " " jg "

4207050 DQO" cd g" gf"cd g" jg" g"d e 0Vjg"DQO" cd g" g "c g"c "  
 jg"d " f g 0  
 4207060 C " c "jc "c f" jg " g"c "c i gf 0  
 4207070 C " jg" c dg 0  
 4207080 K"g fg " jg g"c g"g gf" dg gg " c 0  
 4207090 Uge " "e "hc " e 0  
 420700 Q g c " "c g d i c "c g"i g 0

"  
"